



26 Watts of energy efficient LED garage lighting. 100,000 hour LED lifespan. 5 year warranty. High-performance output maximizes spacing criterion.

Color: Bronze

Weight: 18.2 lbs

**Project:**

**Type:**

**Prepared By:**

**Date:**

#### Driver Info

Type:	Constant Current
120V:	0.30A
208V:	0.17A
240V:	0.15A
277V:	0.13A
Input Watts:	30W
Efficiency:	87%

#### LED Info

Watts:	26W
Color Temp:	5000K
Color Accuracy:	69 CRI
L70 Lifespan:	100000
Lumens:	2,812
Efficacy:	94 LPW

## Technical Specifications

### Electrical

#### Dimming Driver:

Driver includes dimming control for 0-10V dimming systems. Requires separate 0-10V DC dimming circuit. Dims as low as 10%.

#### Drivers:

Constant Current, Class 2, 100V-277V, 50/60 Hz, 6kv Surge Protection, 720mA, 100-277VAC 0.4 Amps.

#### Power Factor:

99.6% at 120V, 89.7% 277V

#### THD:

7.9% at 120V, 10.8% at 277V

### Listings

#### UL Listing:

Suitable for Wet Locations. Covered Ceiling Mount Only.

#### IESNA LM-79 & LM-80 Testing:

RAB LED luminaires have been tested by an independent laboratory in accordance with IESNA LM-79 and LM-80, and have received the Department of Energy "Lighting Facts" label.

### Construction

#### IP Rating:

Ingress Protection rating of IP65 for dust and water.

#### Cold Weather Starting:

Minimum starting temperature is -40°C (-40°F).

#### Maximum Ambient Temperature:

Suitable for use in 40°C (104°F) ambient temperatures

#### Thermal Management:

Superior heat sinking with integrated air-flow fins.

#### Housing:

Precision die-cast aluminum housing and door frame.

#### Mounting:

Easy hanging plate with hooks for ceiling mount.

#### Lens:

Prismatic polycarbonate lens.

#### Reflector:

Semi-specular anodized aluminum with ultra-white, 97% reflective optics.

#### Gaskets:

High-temperature silicone

#### Finish:

Our environmentally friendly polyester powder coatings are formulated for high-durability and long-lasting color, and contains no VOC or toxic heavy metals.

#### Green Technology:

Mercury and UV free. RoHS compliant components. Polyester powder coat finish formulated without the use of VOC or toxic heavy metals.

### LED Characteristics

#### Lifespan:

100,000-hour LED lifespan based on IES LM-80 results and TM-21 calculations.

#### LEDs:

High-output, long-life LEDs.

#### Color Consistency:

7-step MacAdam Ellipse binning to achieve consistent fixture-to-fixture color.

#### Color Stability:

LED color temperature is warrantied to shift no more than 200K in CCT over a 5 year period.

#### Color Uniformity:

RAB's range of CCT (Correlated Color Temperature) follows the guidelines of the American National Standard for Specifications for the Chromaticity of Solid State Lighting (SSL) Products, ANSI C78.377-2011.

### Other

#### California Title 24:

GLED26/D10 complies with 2013 California Title 24 building and electrical codes as a commercial indoor fixture for corridors, stairwells, warehouses and covered parking garages when used with the RAB Stealth Dimmer. Use catalog code STLDIM10 to order a Stealth Dimmer module.

#### Patents:

The design of GLED26 is protected by patents pending in US, Canada, China, Taiwan and Mexico.

#### Country of Origin:

Designed by RAB in New Jersey and assembled in the USA by RAB's IBEW Local 3 workers.

#### Buy American Act Compliant:

This product is a COTS item manufactured in the United States, and is compliant with the Buy American Act.

## Technical Specifications (continued)

### Other

#### Recovery Act (ARRA) Compliant:

This product complies with the 52.225-21 "Required Use of American Iron, Steel, and Manufactured Goods-- Buy American Act-- Construction Materials (October 2010).

#### Trade Agreements Act Compliant:

This product is a COTS item manufactured in the United States, and is compliant with the Trade Agreements Act.

### GSA Schedule:

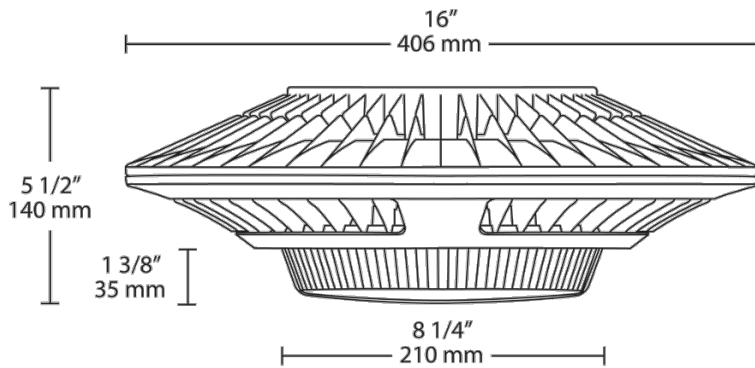
Suitable in accordance with FAR Subpart 25.4.

### Optical

#### BUG Rating:

B2 U3 G1

## Dimensions



## Features

Low-profile design Ideal for Parking Garages

100,000-hour LED lifespan based on IES LM-80 results and TM-21 calculations

Up to 25% Reduction in Fixture Count

Lock screw provided for pendant mount