

GLE52BB/BL



52 Watts of energy efficient LED garage lighting replaces 175 Watt Metal Halide. 100,000 hour LED lifespan. 5 year warranty. High-performance output maximizes spacing criterion.

Color: Bronze

Weight: 18.2 lbs

Project:

Type:

Prepared By:

Date:

Driver Info

Type:	Constant Current
120V:	0.49A
208V:	0.31A
240V:	0.27A
277V:	0.24A
Input Watts:	59W
Efficiency:	88%

LED Info

Watts:	52W
Color Temp:	5100K
Color Accuracy:	68 CRI
L70 Lifespan:	100000
Lumens:	4,975
Efficacy:	84 LPW

Technical Specifications

Other

GLE52 with Bi-Level Operation:

Allows 50% and 100% output modes.

Back Box:

The ceiling backbox is perfect for adding sensors or making splices to the GLED™ family of products. Surface mounts over any shape box and covers unsightly stains or gaps. Five (1/2") conduit entries enable wiring directly from the back or through the sides using surface conduit.

Equivalency:

The GLED52 is Equivalent in delivered lumens to 175W Metal Halide.

California Title 24:

GLE52BB/BL complies with 2013 California Title 24 building and electrical codes as a commercial indoor fixture for corridors, stairwells, warehouses and covered parking garages when used with an occupancy sensor. Select an occupancy sensor using catalog number LOSBAY800.

Patents:

The design of GLED52 is protected by patents pending in US, Canada, China, Taiwan and Mexico.

Country of Origin:

Designed by RAB in New Jersey and assembled in the USA by RAB's IBEW Local 3 workers.

Buy American Act Compliant:

This product is a COTS item manufactured in the United States, and is compliant with the Buy American Act.

Recovery Act (ARRA) Compliant:

This product complies with the 52.225-21 "Required Use of American Iron, Steel, and Manufactured Goods-- Buy American Act-- Construction Materials (October 2010).

Trade Agreements Act Compliant:

This product is a COTS item manufactured in the United States, and is compliant with the Trade Agreements Act.

GSA Schedule:

Suitable in accordance with FAR Subpart 25.4.

Listings

UL Listing:

Suitable for Wet Locations. Covered Ceiling Mount Only.

IESNA LM-79 & LM-80 Testing:

RAB LED luminaires have been tested by an independent laboratory in accordance with IESNA LM-79 and LM-80, and have received the Department of Energy "Lighting Facts" label.

DLC Listed:

This product is on the Design Lights Consortium (DLC) Qualified Products List and is eligible for rebates from DLC Member Utilities.

DLC Product Code: P78RRGT2

Optical

Lumen Maintenance:

100,000-hour LED lifespan based on IES LM-80 results and TM-21 calculations.

BUG Rating:

B3 U3 G2

LED Characteristics

LEDs:

4x13W high-output, long-life LEDs.

Color Consistency:

7-step MacAdam Ellipse binning to achieve consistent fixture-to-fixture color.

Color Stability:

LED color temperature is warranted to shift no more than 200K in CCT over a 5 year period.

Color Uniformity:

RAB's range of CCT (Correlated Color Temperature) follows the guidelines of the American National Standard for Specifications for the Chromaticity of Solid State Lighting (SSL) Products, ANSI C78.377-2011.

Electrical

Drivers:

2x26W Driver, Constant Current, Class 2, 100V-277V, 50/60 Hz, 6kv Surge Protection, 720mA, 100-277VAC 0.4 Amps.

Power Factor:

99.6% at 120V, 90.2% 277V

THD:

8.3% at 120V, 11.5% at 277V

Construction

Cold Weather Starting:

Minimum starting temperature is -40°C (-40°F).

Maximum Ambient Temperature:

Suitable for use in 40°C (104°F) ambient temperatures

Thermal Management:

Superior heat sinking with integrated air-flow fins.

Housing:

Precision die-cast aluminum housing and door frame.

Technical Specifications (continued)

Construction

Mounting:

Easy hanging plate with hooks for ceiling mount.

Lens:

Prismatic polycarbonate lens.

Reflector:

Specular vacuum-metallized polycarbonate with ultra-white, 97% reflective optics.

Gaskets:

High-temperature silicone

Finish:

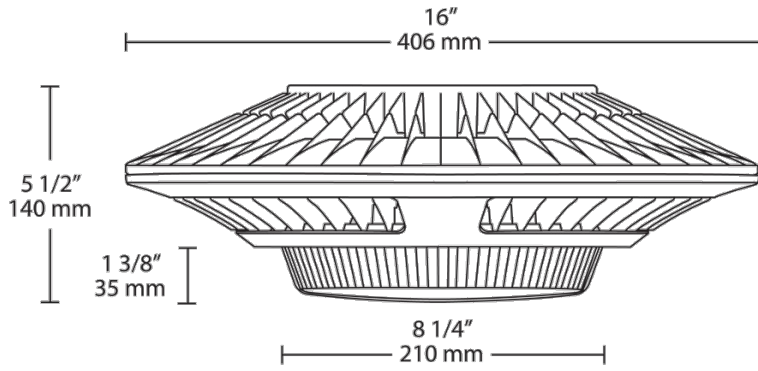
Our environmentally friendly polyester powder coatings are formulated for high-durability and long-lasting color, and contains no VOC or toxic heavy metals.

Green Technology:

Mercury and UV free. RoHS compliant components. Polyester powder coat finish formulated without the use of VOC or toxic heavy metals.

GLE52BB/BL

Dimensions



Features

- Low-profile design Ideal for Parking Garages
- 52W Replaces 175W MH Luminaires
- 100,000-hour LED lifespan based on IES LM-80 results and TM-21 calculations
- Up to 25% Reduction in Fixture Count
- Lock screw provided for pendant mount