



Project:	Type:
Prepared By:	Date:

Use to add a motion sensor to RAB garage lights. Mounts over any shape recessed box and covers stains and gaps. Available in bronze and white for ceiling and pendant mounted garage lights.

Color: White

Weight: 0.4 lbs

Technical Specifications

Other

Description:

The ceiling backbox is perfect for adding sensors or making splices to the GLED™ family of products. Surface mounts over any shape box and covers unsightly stains or gaps. Five (1/2") conduit entries enable wiring directly from the back or through the sides using surface conduit.

Listings

UL Listing:

Suitable for wet locations. Covered Ceiling Mount Only. When used with RAB GLED fixtures.

Construction

Housing:

Precision die-cast aluminum

Mounting:

Attaches securely to GLED with tool-less slide lock mechanism. Surface mounts on ceiling.

Plugs:

Die cast aluminum with clean threads and gasket for weatherproof seal.

Gaskets:

High-temperature silicone

Finish:

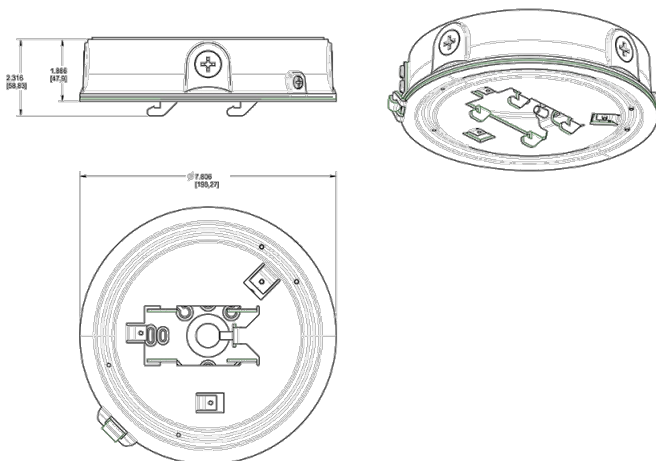
Our environmentally friendly polyester powder coatings are formulated for high-durability and long-lasting color, and contains no VOC or toxic heavy metals.

Electrical

Wiring:

Five holes. One on the back of the box, four on the sides for using surface conduit.

Dimensions



Features

Great for adding a sensor to RAB LED garage fixtures

Surface mounts over any shape box

Covers unsightly stains and gaps

Conduit entries enable wiring directly from the back or through the sides using surface conduit