



<b>Project:</b>	<b>Type:</b>
<b>Prepared By:</b>	<b>Date:</b>

**Technical Specifications**

**Sensor Characteristics**

**Lead Time:**

3 weeks expedited shipping. 6 weeks standard shipping.

**Construction**

**Component Only:**

This is a component for ordering LED Goosenecks. Not a complete fixture without Arm and Head.

**Construction:**

Die cast aluminum

**Finish:**

Our environmentally friendly polyester powder coatings are formulated for high-durability and long-lasting color, and contains no VOC or toxic heavy metals. Offers significantly improved gloss retention and resistance to color change.

**Other**

**Shades:**

11" Angled Cone Shade

**Country of Origin:**

Designed by RAB in New Jersey and assembled in Taiwan.

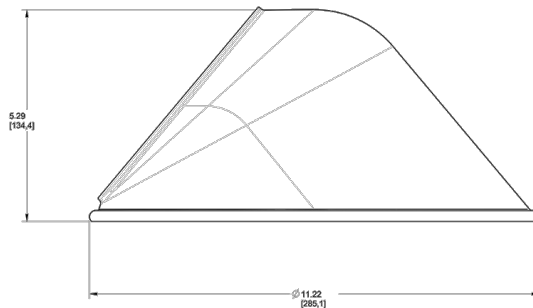
**Trade Agreements Act Compliant:**

This product is a product of Taiwan and a "designated country" end product that complies with the Trade Agreements Act.

**GSA Schedule:**

Suitable in accordance with FAR Subpart 25.4.

**Dimensions**



## Ordering Matrix

Family	Shade	Size	Finish
GS	AC	11	S

**AC** = Angled Cone  
**AD** = Angled Dome  
**ST** = Straight Shade

**11** = 11"  
**Blank** = 15"

**B** = Black  
**W** = White  
**A** = Bronze  
**S** = Silver  
**G** = Hunter Green  
**YL** = Yellow  
**LB** = Light Blue  
**BL** = Royal Blue  
**BWN** = Brown  
**I** = Ivory  
**R** = Red