



Project:	Type:
Prepared By:	Date:

Technical Specifications

Construction

Component Only:

This is a component for ordering LED Goosenecks. Not a complete fixture without Arm and Head.

Construction:

Die cast aluminum

Finish:

Our environmentally friendly polyester powder coatings are formulated for high-durability and long-lasting color, and contains no VOC or toxic heavy metals. Offers significantly improved gloss retention and resistance to color change.

Other

Shades:

11" Angled Cone Shade

Country of Origin:

Designed by RAB in New Jersey and assembled in Taiwan.

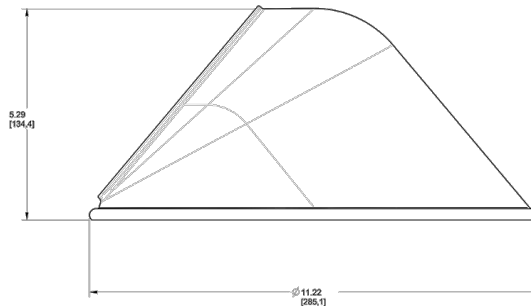
Trade Agreements Act Compliant:

This product is a product of Taiwan and a "designated country" end product that complies with the Trade Agreements Act.

GSA Schedule:

Suitable in accordance with FAR Subpart 25.4.

Dimensions



Ordering Matrix

Family	Shade	Size	Finish
GS	AC	11	W

AC = Angled Cone
AD = Angled Dome
ST = Straight Shade

11 = 11"
Blank = 15"

B = Black
W = White
A = Bronze
S = Silver
G = Hunter Green
YL = Yellow
LB = Light Blue
BL = Royal Blue
BWN = Brown
I = Ivory
R = Red