



<b>Project:</b>	<b>Type:</b>
<b>Prepared By:</b>	<b>Date:</b>

## Technical Specifications

### Listings

#### UL Listing:

Suitable for wet locations.

### Electrical

#### Voltage:

120-277 volts AC 60 Hz.

#### Power Consumption:

1W

#### Surge Protection:

Withstands up to 6000 volts.

#### Wall Switch Manual Override:

Two flip logic prevents activation by momentary power outages. Override resets to auto after 6 hours or at dawn. No extra wiring needed.

### Sensor Characteristics

#### Time Adjustment:

10 seconds to 5 minutes.

#### Sensor Housing:

Made of tough, corrosion resistant polycarbonate.

#### Detection:

110° view.

### Other

#### Photoelectric Control:

Deactivates lights during daylight.

#### Detector Sensitivity:

Adjustable from 100% to 50%.

### California Title 24:

Add Gotcha sensor to outdoor fixtures that draw 30 Watts or greater and have bi-level operation for compliance with 2013 California Title 24 building and electrical codes.

### Warranty:

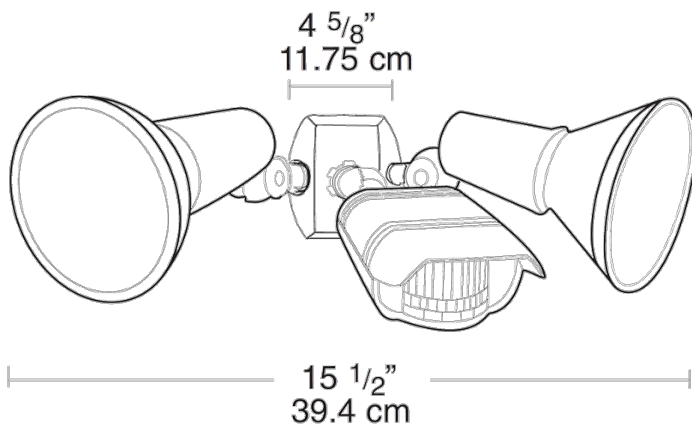
5 year sensor warranty.

### Construction

#### Floodlights:

Made of tough, corrosion-resistant polycarbonate. For extra or replacement floodlights, order cat# TUFFY in your choice of color. Accepts PAR-38 lamps, medium base, 150 watts max. Lamps not included.

## Dimensions



## Features

- 500 Watt switching capacity
- New vandal resistant grill
- 6000 volt surge protection
- Temperature compensation
- Protected manual override with auto reset
- Double look down lens
- 5 year warranty