



The affordable LED GUS is designed to deliver general ambient lighting for surface-mount ceiling/wall or pendant mount applications. Diffusion lens delivers improved visual performance and a more refined look. Replaces traditional 2' linear fluorescent wraparound fixtures.

Color: White

Weight: 9.3 lbs

<b>Project:</b>	<b>Type:</b>
<b>Prepared By:</b>	<b>Date:</b>

Driver Info		LED Info	
Type:	Constant Current	Watts:	25W
120V:	0.21A	Color Temp:	5000K
208V:	0.14A	Color Accuracy:	83 CRI
240V:	0.12A	L70 Lifespan:	100000
277V:	0.11A	Lumens:	3,066
Input Watts:	26W	Efficacy:	117 LPW
Efficiency:	96%		

## Technical Specifications

### Listings

#### UL Listing:

Suitable for damp locations

#### IESNA LM-79 & LM-80 Testing:

RAB LED luminaires have been tested by an independent laboratory in accordance with IESNA LM-79 and LM-80, and have received the Department of Energy "Lighting Facts" label.

### LED Characteristics

#### Lifespan:

100,000-hour LED lifespan based on IES LM-80 results and TM-21 calculations.

#### LEDs:

Long-life, high-efficiency surface mount LEDs

#### Color Stability:

LED Color temperature is warranted to shift no more than 200K in CCT over a 5 year period.

#### Color Uniformity:

RAB's range of CCT (Correlated Color Temperature) follows the guidelines of the American National Standard for Specifications for the Chromaticity of Solid State Lighting (SSL) Products, ANSI C78.377-2015.

### Electrical

#### Driver:

Class 2, Constant Current, 100-277VAC, 50-60Hz, 4kV, 120V: 0.21A, 208V: 0.14A, 240V: 0.12A, 277V: 0.11A

#### THD:

13.1% at 120V, 15.8% at 277V

#### Power Factor:

98.9% at 120V, 92.6% at 277V

#### Minimum Starting Temperature:

-30°C to 40°C

#### Dimming Driver:

Driver includes dimming control wiring for 0-10V dimming systems. Requires separate 0-10V DC dimming circuit. Dims as low as 10%.

### Construction

#### Housing:

Die-formed 22 gauge, cold-rolled, post-painted steel. Post painting improves durability of the finish and eliminates the sharp edges making handling and installation safer.

#### Mounting:

Surface mount. Can be mounted with chains or v-hooks by others.

#### Lens:

Acrylic lens with diffusion for enhanced optical performance

#### Reflector:

Aluminum with high-reflectance (91%) powder coat applied post production for a more durable finish

#### Finish:

Formulated for high-durability and long lasting color.

#### Green Technology:

Mercury and UV free. RoHS compliant components. Polyester powder coat finish formulated without the use of VOC or toxic heavy metals.

### Other

#### Warranty:

RAB warrants that our LED products will be free from defects in materials and workmanship for a period of five (5) years from the date of delivery to the end user, including coverage of light output, color stability, driver performance and fixture finish.

#### Country of Origin:

Designed by RAB in New Jersey and assembled in the USA by RAB's IBEW Local 3 workers.

#### Buy American Act Compliant:

This product is a COTS item manufactured in the United States, and is compliant with the Buy American Act.

#### Recovery Act (ARRA) Compliant:

This product complies with the 52.225-21 "Required Use of American Iron, Steel, and Manufactured Goods-- Buy American Act-- Construction Materials (October 2010).

#### GSA Schedule:

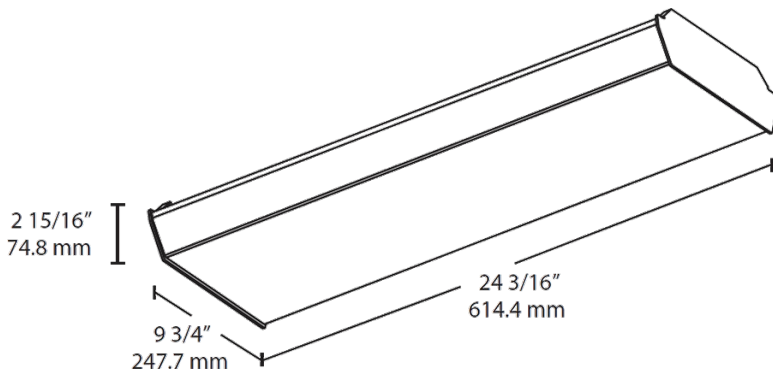
Suitable in accordance with FAR Subpart 25.4.

#### Equivalency:

Equivalent to (1) F32T8

# GUS2-25W/D10

## Dimensions



## Features

- Energy-efficient, maintenance-free LED wrap fixture
- Multiple mounting options: surface, pendant or chain
- High-reflectance white finish for optimal output
- Diffusion wrap-around lens for smooth light distribution
- 0-10V dimming standard
- 100,000-Hour LED lifespan

## Ordering Matrix

Family	Length	Watts	Color Temp	Finish	Dimming
GUS	2	25		W	/D10
	2 = 2 ft	18 = 18W 25 = 25W	Blank = 5000K (Cool) N = 4000K (Neutral) YN = 3500K (Warm Neutral) Y = 3000K (Warm)	W = White	Blank = No Dimming /D10 = Dimmable