



Project:	Type:
Prepared By:	Date:

Driver Info		LED Info	
Type	Constant Current	Watts	240W
120V	2.20A	Color Temp	5000K/4000K3000K
208V	1.30A	Color Accuracy	82-86 CRI
240V	1.10A	L70 Lifespan	100,000 Hours
277V	0.95A	Lumens	22696-37253
Input Watts	146.4-241.5W	Efficacy	135.6-168.4 lm/W

Technical Specifications

Field Adjustability

Field Adjustable:

Field Adjustable Light Output:
150W/200W/240W (factory default 240W)
Color temperature (selectable by 3000K, 4000K and 5000K)

Compliance

UL Listed:

Suitable for wet locations

IESNA LM-79 & LM-80 Testing:

RAB LED luminaires and LED components have been tested by an independent laboratory in accordance with IESNA LM-79 and LM-80.

DLC Model Number:

H17XL-002

DLC Listed:

This product is listed by Design Lights Consortium (DLC) as an ultra-efficient premium product that qualifies for the highest tier of rebates from DLC Member Utilities. Designed to meet DLC 5.1 requirements.

DLC Product Code: S-LED17S

Electrical

Driver:

150W: Constant Current, 120-277V, 50/60Hz, 120V: 1.25A, 208V: 0.72A, 240V: 0.63A, 277V: 0.54A
200W: Constant Current, 120-277V, 50/60Hz, 120V: 1.69A, 208V: 0.98A, 240V: 0.85A, 277V: 0.73A
240W: Constant Current, 120-277V, 50/60Hz, 120V: 2.01A, 208V: 1.16A, 240V: 1.00A, 277V: 0.87A

Dimming Driver:

Driver includes wiring for 0-10V dimming systems. Dim as low as 10%.

THD:

4.89% at 120V, 9.64% at 277V

Power Factor:

99.78% at 120V, 93.12% at 277V

Note:

All values are typical (tolerance +/- 10%)

Other

Surge Protection:

L-N: 4KV
L/N-PE: 6KV

5 Yr Limited Warranty:

The RAB 5-year, limited warranty covers light output, driver performance and paint finish. RAB's warranty is subject to all terms and conditions found at rablighting.com/warranty.

Buy American Act Compliance:

RAB values USA manufacturing! Upon request, RAB may be able to manufacture this product to be compliant with the Buy American Act (BAA). Please contact customer service to request a quote for the product to be made BAA compliant.

Equivalency:

Equivalent to 750W Metal Halide

Technical Specifications (continued)

LED Characteristics

LEDs:

Long-life, high-efficacy, surface-mount LEDs

Color Consistency:

7-step MacAdam Ellipse binning to achieve consistent fixture-to-fixture color

Color Uniformity:

RAB's range of Correlated Color Temperature follows the guidelines of the American National Standard for Specifications for the Chromaticity of Solid State Lighting (SSL) Products, ANSI C78.377-2017.

Construction

IP Rating:

Ingress protection rating of IP65 for dust and water

Cold Weather Starting:

The minimum starting temperature is -40°C (-40°F)

Maximum Ambient Temperature:

Suitable for use in up to 50°C (122°F)

Housing:

Precision die-cast aluminum

Mounting:

Heavy-duty 3/4"-14 NPT hook and 3/4"-14 pendant mount capable (pendant by others)

Lens:

Polycarbonate lens

Reflector:

Polycarbonate and Aluminum (Reflector Accessories Sold Separately)

Finish:

Formulated for high durability and long-lasting color

Green Technology:

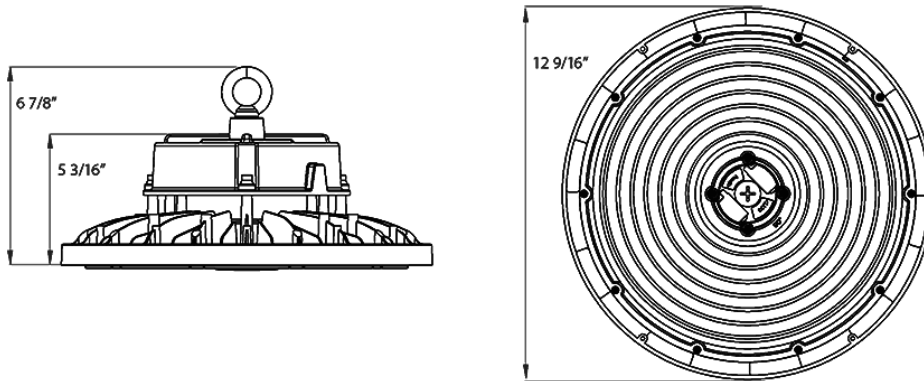
Mercury and UV free. RoHS-compliant components.

Optical

Beam Angle:

90°

Dimensions



Ordering Matrix

Family	Wattage	Color Temp	Finish	Voltage
H17	XL			
	Blank = 150/125/100W XL = 240/200/160W	Blank = 4000/5000K	Blank = White	Blank = 120-277V, 0-10V Dimming