



Color: N/A

Weight: 0.2 lbs

**Project:**

**Type:**

**Prepared By:**

**Date:**

**Driver Info**

Type: Constant Current  
 120V: 0.48A  
 208V: 0.32A  
 240V: 0.28A  
 277V: 0.24A  
 Input Watts: 0W  
 Efficiency: N/A

**LED Info**

Watts: 0W  
 Color Temp: N/A  
 Color Accuracy: N/A  
 L70 Lifespan: N/A  
 Lumens: 4144  
 Efficacy: N/A

## Technical Specifications

**Listings**

**UL Listed:**

Suitable for wet locations in a covered ceiling

**Optical**

**Photometrics:**

Photometrics are based on prorated reports. Contact the RAB Lighting Design department for the most up-to-date data.

**Optic Accessory:**

The HALED Light Engine comes standard with an 80° optic with frosted lens installed. For 50°, the optic accessory included in your order must be installed.

**Construction**

**Green Technology:**

Mercury and UV-free. RoHS compliant components. Polyester powder coat finish formulated without the use of VOCs or toxic heavy metals.

**Finish:**

Formulated for high-durability and long lasting color

**Other**

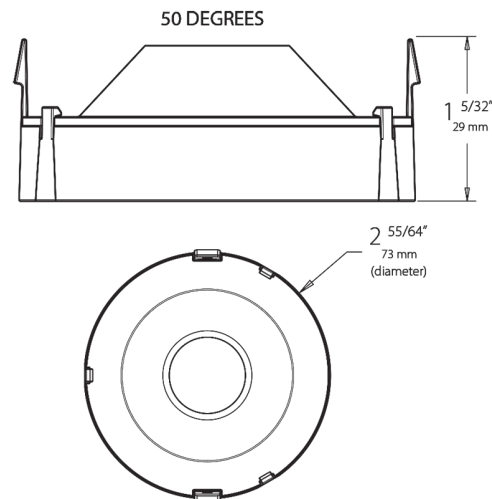
**Warranty:**

RAB warrants that our LED products will be free from defects in materials and workmanship for a period of five (5) years from the date of delivery to the end user, including coverage of light output, color stability, driver performance and fixture finish.

**Buy American Act Compliance:**

RAB values USA manufacturing! Upon request, RAB may be able to manufacture this product to be compliant with the Buy American Act (BAA). Please contact customer service to request a quote for the product to be made BAA compliant.

## Dimensions



## Ordering Matrix

Family	Beam Spread	Lens
HA	50	FR

50 = 50°  
80 = 80°  
WW = Wall Washer

Blank = Solite Prismatic Lens  
FR = Frosted Lens