



Color: N/A

Weight: 0.8 lbs

| | |
|---------------------|--------------|
| Project: | Type: |
| Prepared By: | Date: |

| Driver Info | | LED Info | |
|--------------|------------------|-----------------|-------|
| Type: | Constant Current | Watts: | 8W |
| 120V: | 0.11A | Color Temp: | N/A |
| 208V: | 0.05A | Color Accuracy: | N/A |
| 240V: | 0.04A | L70 Lifespan: | 50000 |
| 277V: | 0.03A | Lumens: | 3296 |
| Input Watts: | 0W | Efficacy: | N/A |
| Efficiency: | N/A | | |

Technical Specifications

Listings

UL Listed:

Suitable for wet locations in a covered ceiling

Optical

Photometrics:

Photometrics are based on prorated reports. Contact the RAB Lighting Design department for the most up-to-date data.

Optic:

The HALED Light Engine comes standard with an 80° optic with frosted lens installed

Electrical

Driver:

Class 2, 120-277V, 50/60 Hz, 120V: 0.11A, 208V: 0.05A, 240V: 0.041A, 277V: 0.04A

Dimming Driver:

Compatible with TRIAC dimming at 120V.

Surge Protection:

4kV

LED Characteristics

Lifespan:

50,000-hour LED lifespan based on IES LM-80 results and TM-21 calculations

LEDs:

Long-life, high-efficiency, surface mount LEDs

Construction

IC Rating:

Suitable for direct contact with insulation

Housing:

Precision die cast aluminum

Trim:

Spun aluminum, Alzak anodized, and luxurious electroplated finishes available

Lens:

Standard, frosted lens eliminates "hot spots", and helps provide smooth, uniform light

Green Technology:

Mercury and UV-free. RoHS compliant components. Polyester powder coat finish formulated without the use of VOCs or toxic heavy metals.

Finish:

Formulated for high-durability and long lasting color

Other

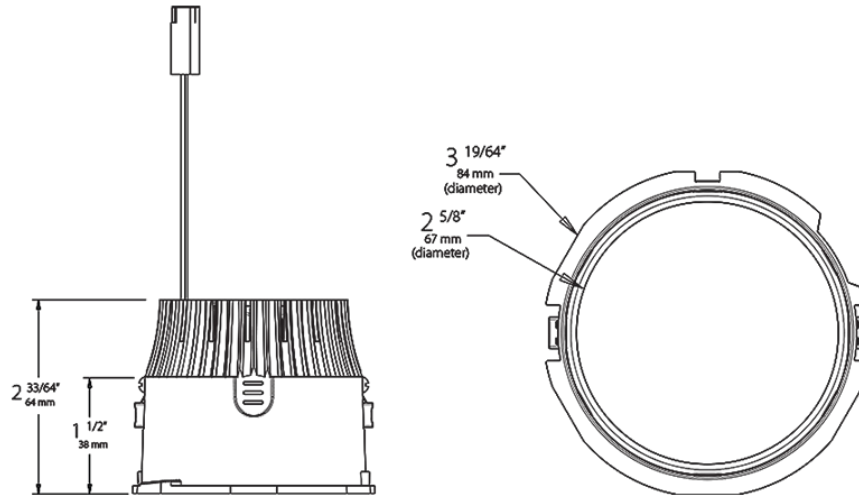
Warranty:

RAB warrants that our LED products will be free from defects in materials and workmanship for a period of five (5) years from the date of delivery to the end user, including coverage of light output, color stability, driver performance and fixture finish.

Buy American Act Compliance:

RAB values USA manufacturing! Upon request, RAB may be able to manufacture this product to be compliant with the Buy American Act (BAA). Please contact customer service to request a quote for the product to be made BAA compliant.

Dimensions



Ordering Matrix

| Family | Wattage | Beam Spread | Color Temp | CRI |
|--------|--------------------|-------------------------|---|-------------------------------|
| HALED | 8 | 80 | YN | HC |
| | 8 = 8W 12 = 12W | 80FR = 80° Frosted Lens | N = 4000K (Neutral) YN = 3500K (Warm Neutral) Y = 3000K (Warm) YY = 2700K (Residential Warm) | Blank = 80 CRI HC = 90 CRI |