



## Textured White Frame with Metallic Spun Gold Lens

*Note: Fixture will come fully assembled with the frame and lens shown above.*

|                     |              |
|---------------------|--------------|
| <b>Project:</b>     | <b>Type:</b> |
| <b>Prepared By:</b> | <b>Date:</b> |

| Driver Info  |                  | LED Info      |                      |
|--------------|------------------|---------------|----------------------|
| Type:        | Constant Current | Watts:        | 14W                  |
| 120V:        | 0.12A            | Color Temp:   | 3500K (Warm Neutral) |
| 208V:        | 0.07A            | Color:        | 95 CRI               |
| 240V:        | 0.06A            | Accuracy:     |                      |
| 277V:        | 0.06A            | R9:           | 85                   |
| Input Watts: | 14W              | L70 Lifespan: | 50,000               |
| Efficiency:  | N/A              | Lumens:       | 243                  |
|              |                  | Efficacy:     | 17 LPW               |

## Technical Specifications

### Lightcloud

#### Lightcloud Controller Installed:

Fixture, Zone, and plug-load control from one powerful device. Capable of switching, 0-10V dimming, power monitoring. Can also be used to extend the range of the Lightcloud mesh network. Attach to fixture, junction box, or electrical panel.

### Listings

#### UL Listed:

Suitable for damp locations. Recommended for indoor use only.

#### ADA Compliant:

Meets ADA Requirements for wall-mounted luminaires.

#### IESNA LM-79 & IESNA LM-80 Testing:

RAB LED luminaires and LED components have been tested by an independent laboratory in accordance with IESNA LM-79 and LM-80.

### LED Characteristics

#### Lifespan:

50,000-hour LED lifespan based on IES LM-80 results and TM-21 calculations

#### LEDs:

Long-life, High efficiency, micro-power, surface mount LEDs; binned and mixed for uniform light output and color

#### Light Loss Factor:

0.33

#### Color Stability:

LED color temperature is warrantied to shift no more than 200K in CCT over a 5 year period

#### Color Uniformity:

RAB's range of CCT (Correlated Color Temperature) follows the guidelines of the American National Standard for Specifications for the Chromaticity of Solid State Lighting (SSL) Products, ANSI C78.377-2017.

### Electrical

#### Dimming Driver:

0 - 10V (at 120-277V), TRIAC and ELV (at 120V only)

#### Battery Backup:

Battery backup will operate the LED Lamp for 90 minutes if power fails. Wired for 120V-277V.

#### Driver:

Constant Current, Class 2, 120-277VAC, 50/60Hz, 350mA or 640mA

#### THD:

19.9% at 120V, 21.7% at 277V

#### Power Factor:

96.4% at 120V, 85.6% at 277V

### Construction

#### Housing:

Die-cast and extruded aluminum

#### Mounting:

Wall mount with junction box included

#### Lens:

Acrylic lens with metallic spun gold print. See for cleaning instructions.

#### Ambient Operating Temperature:

-20°C (-4°F) to 40°C (104°F)

#### Green Technology:

Mercury and UV-free. RoHS compliant components.

#### Finish:

Textured White using our environmentally friendly polyester powder coatings are formulated for high-durability and long-lasting color

### Other

#### Equivalency :

Equivalent to 60W Incandescent

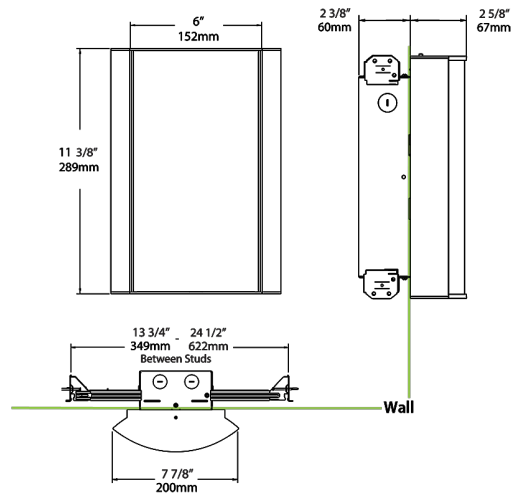
#### Warranty:

RAB warrants that our LED products will be free from defects in materials and workmanship for a period of five (5) years from the date of delivery to the end user, including coverage of light output, color stability, driver performance and fixture finish. RAB's warranty is subject to all terms and conditions found at

#### Buy American Act Compliance:

RAB values USA manufacturing! Upon request, RAB may be able to manufacture this product to be compliant with the Buy American Act (BAA). Please contact customer service to request a quote for the product to be made BAA compliant.

## Dimensions



## Ordering Matrix

| Family | Lumen Package      | CRI and CCT        | Options | Lens                              | Options | Finish             | Options  |
|--------|--------------------|--------------------|---------|-----------------------------------|---------|--------------------|--|
| HALV   | 10L                | 935                | -       | MG                                | -       | W                  | /LC/E2   |
|        | 10L = 1000lm / 14W | 940 = 90CRI, 4000K |         | F = Frosted (Standard)            |         | W = White          | Blank = No Option  |
|        | 18L = 1800lm / 25W | 935 = 90CRI, 3500K |         | FG1 = Frosted with Grill Style #1 |         | K = Black          | /E2 = Emergency Battery Backup                             |
|        |                    | 930 = 90CRI, 3000K |         | FG2 = Frosted with Grill Style #2 |         | S = Silver         | /MVS = Occupancy Sensor                                    |
|        |                    | 927 = 90CRI, 2700K |         | FG3 = Frosted with Grill Style #3 |         | A = Antique Bronze | /BL = Bi-Level Control                                     |
|        |                    |                    |         | NL = Natural Leaves               |         | SA = Satin Nickel  | /MVS/E2 = Microwave Sensor w/ Emergency Battery Backup     |
|        |                    |                    |         | GL = Green Leaves                 |         | CU = Copper        | /BL/E2 = Bi-Level Control w/ Emergency Battery Backup      |
|        |                    |                    |         | TL = Toffee Leaves                |         |                    | /LC/E2 = Lightcloud Controller w/ Emergency Battery Backup |
|        |                    |                    |         | LW = Linen Hampton White          |         |                    |  |
|        |                    |                    |         | LS = Linen Stone                  |         |                    |  |
|        |                    |                    |         | LH = Linen Harbor                 |         |                    |  |
|        |                    |                    |         | MS = Metallic Spun Silver         |         |                    |  |
|        |                    |                    |         | MC = Metallic Spun Copper         |         |                    |  |
|        |                    |                    |         | MG = Metallic Spun Gold           |         |                    |  |
|        |                    |                    |         | CW = Crush Polar White            |         |                    |  |
|        |                    |                    |         | CS = Crush Sedona                 |         |                    |  |
|        |                    |                    |         | MP = Mirage Platinum              |         |                    |  |
|        |                    |                    |         | MA = Mirage Bronze                |         |                    |  |