



Textured Black Frame with Crush Sedona Lens

Note: Fixture will come fully assembled with the frame and lens shown above.

Project:	Type:
Prepared By:	Date:

Driver Info		LED Info	
Type:	Constant Current	Watts:	14W
120V:	0.12A	Color Temp:	4000K (Neutral)
208V:	0.07A	Color Accuracy:	91 CRI
240V:	0.06A	R9:	60
277V:	0.06A	L70 Lifespan:	50,000
Input Watts:	14W	Lumens:	269
Efficiency:	N/A	Efficacy:	19 LPW

Technical Specifications

Lightcloud

Lightcloud Controller Installed:

Fixture, Zone, and plug-load control from one powerful device. Capable of switching, 0-10V dimming, power monitoring. Can also be used to extend the range of the Lightcloud mesh network. Attach to fixture, junction box, or electrical panel.

Listings

UL Listed:

Suitable for damp locations. Recommended for indoor use only.

ADA Compliant:

Meets ADA Requirements for wall-mounted luminaires.

IESNA LM-79 & IESNA LM-80 Testing:

RAB LED luminaires and LED components have been tested by an independent laboratory in accordance with IESNA LM-79 and LM-80.

LED Characteristics

Lifespan:

50,000-hour LED lifespan based on IES LM-80 results and TM-21 calculations

LEDs:

Long-life, High efficiency, micro-power, surface mount LEDs; binned and mixed for uniform light output and color

Light Loss Factor:

0.33

Color Stability:

LED color temperature is warrantied to shift no more than 200K in CCT over a 5 year period

Color Uniformity:

RAB's range of CCT (Correlated Color Temperature) follows the guidelines of the American National Standard for Specifications for the Chromaticity of Solid State Lighting (SSL) Products, ANSI C78.377-2017.

Electrical

Dimming Driver:

0 - 10V (at 120-277V), TRIAC and ELV (at 120V only)

Driver:

Constant Current, Class 2, 120-277VAC, 50/60Hz, 350mA or 640mA

THD:

19.9% at 120V, 21.7% at 277V

Power Factor:

96.4% at 120V, 85.7% at 277V

Construction

Housing:

Die-cast and extruded aluminum

Mounting:

Wall mount with junction box included

Lens:

Acrylic lens with crush sedona print. See for cleaning instructions.

Ambient Operating Temperature:

-20°C (-4°F) to 40°C (104°F)

Green Technology:

Mercury and UV-free. RoHS compliant components.

Finish:

Textured Black using our environmentally friendly polyester powder coatings are formulated for high-durability and long-lasting color

Other

Equivalency :

Equivalent to 60W Incandescent

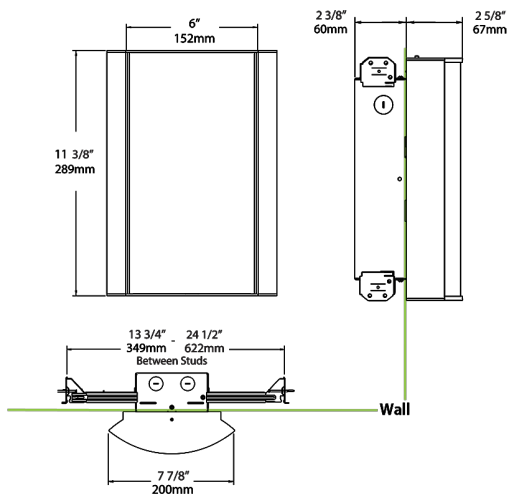
Warranty:

RAB warrants that our LED products will be free from defects in materials and workmanship for a period of five (5) years from the date of delivery to the end user, including coverage of light output, color stability, driver performance and fixture finish. RAB's warranty is subject to all terms and conditions found at

Buy American Act Compliance:

RAB values USA manufacturing! Upon request, RAB may be able to manufacture this product to be compliant with the Buy American Act (BAA). Please contact customer service to request a quote for the product to be made BAA compliant.

Dimensions



Ordering Matrix

Family	Lumen Package	CRI and CCT	Lens	Finish	Options
HALV	10L	940	CS	K	/LC
	10L = 1000lm / 14W	940 = 90CRI, 4000K	F = Frosted (Standard)	W = White	Blank = No Option
	18L = 1800lm / 25W	935 = 90CRI, 3500K	FG1 = Frosted with Grill Style #1	K = Black	/E2 = Emergency Battery Backup
		930 = 90CRI, 3000K	FG2 = Frosted with Grill Style #2	S = Silver	/MVS = Occupancy Sensor
		927 = 90CRI, 2700K	FG3 = Frosted with Grill Style #3	A = Antique Bronze	/BL = Bi-Level Control
			NL = Natural Leaves	SA = Satin Nickel	/MVS/E2 = Microwave Sensor w/ Emergency Battery Backup
			GL = Green Leaves	CU = Copper	/BL/E2 = Bi-Level Control w/ Emergency Battery Backup
			TL = Toffee Leaves		/LC/E2 = Lightcloud Controller w/ Emergency Battery Backup
			LW = Linen Hampton White		
			LS = Linen Stone		
			LH = Linen Harbor		
			MS = Metallic Spun Silver		
			MC = Metallic Spun Copper		
			MG = Metallic Spun Gold		
			CW = Crush Polar White		
			CS = Crush Sedona		
			MP = Mirage Platinum		
			MA = Mirage Bronze		