



**Satin Nickel Frame with Frosted Lens with Grill Style #3**

*Note: Fixture will come fully assembled with the frame and lens shown above.*

<b>Project:</b>	<b>Type:</b>
<b>Prepared By:</b>	<b>Date:</b>

Driver Info		LED Info	
Type:	Constant Current	Watts:	25W
120V:	0.22A	Color Temp:	3000K (Warm)
208V:	0.13A	Color Accuracy:	94 CRI
240V:	0.11A	R9:	65
277V:	0.1A	L70 Lifespan:	50,000
Input Watts:	26W	Lumens:	1,366
Efficiency:	97%	Efficacy:	53 LPW

## Technical Specifications

### Listings

**UL Listed:**

Suitable for damp locations. Recommended for indoor use only.

**ADA Compliant:**

Meets ADA Requirements for wall-mounted luminaires.

**IESNA LM-79 & IESNA LM-80 Testing:**

RAB LED luminaires and LED components have been tested by an independent laboratory in accordance with IESNA LM-79 and LM-80.

### LED Characteristics

**Lifespan:**

50,000-hour LED lifespan based on IES LM-80 results and TM-21 calculations

**LEDs:**

Long-life, High efficiency, micro-power, surface mount LEDs; binned and mixed for uniform light output and color

**Light Loss Factor:**

0.18

**Color Stability:**

LED color temperature is warrantied to shift no more than 200K in CCT over a 5 year period

**Color Uniformity:**

RAB's range of CCT (Correlated Color Temperature) follows the guidelines of the American National Standard for Specifications for the Chromaticity of Solid State Lighting (SSL) Products, ANSI C78.377-2017.

### Electrical

**Dimming Driver:**

0 - 10V (at 120-277V), TRIAC and ELV (at 120V only)

**Driver:**

Constant Current, Class 2, 120-277VAC, 50/60Hz, 350mA or 640mA

**THD:**

12.6% at 120V, 16.1% at 277V

**Power Factor:**

98.4% at 120V, 94.3% at 277V

### Construction

**Housing:**

Die-cast and extruded aluminum

**Mounting:**

Wall mount with junction box included

**Lens:**

Frosted polycarbonate with grill style #3. See for cleaning instructions.

**Ambient Operating Temperature:**

-20°C (-4°F) to 40°C (104°F)

### Green Technology:

Mercury and UV-free. RoHS compliant components.

**Finish:**

Luxuriously Electroplated Satin Nickel

### Other

**Bi-Level:**

Allows 75%, 50%, 25% output modes

**Equivalency :**

Equivalent to 100W Incandescent

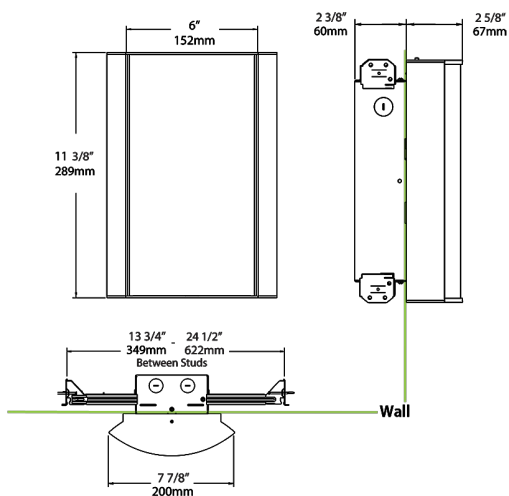
**Warranty:**

RAB warrants that our LED products will be free from defects in materials and workmanship for a period of five (5) years from the date of delivery to the end user, including coverage of light output, color stability, driver performance and fixture finish. RAB's warranty is subject to all terms and conditions found at

**Buy American Act Compliance:**

RAB values USA manufacturing! Upon request, RAB may be able to manufacture this product to be compliant with the Buy American Act (BAA). Please contact customer service to request a quote for the product to be made BAA compliant.

## Dimensions



## Ordering Matrix

Family	Lumen Package	CRI and CCT	Lens	Finish	Options
HALVS	18L	930	FG3	SA	/BL
	10L = 1000lm / 14W 18L = 1800lm / 25W	940 = 90CRI, 4000K 935 = 90CRI, 3500K 930 = 90CRI, 3000K 927 = 90CRI, 2700K	F = Frosted (Standard) FG1 = Frosted with Grill Style #1 FG2 = Frosted with Grill Style #2 FG3 = Frosted with Grill Style #3 NL = Natural Leaves GL = Green Leaves TL = Toffee Leaves LW = Linen Hampton White LS = Linen Stone LH = Linen Harbor MS = Metallic Spun Silver MC = Metallic Spun Copper MG = Metallic Spun Gold CW = Crush Polar White CS = Crush Sedona MP = Mirage Platinum MA = Mirage Bronze	W = White K = Black S = Silver A = Antique Bronze SA = Satin Nickel CU = Copper	Blank = No Option /E2 = Emergency Battery Backup /MVS = Occupancy Sensor /BL = Bi-Level Control /LC = Lightcloud Controller /MVS/E2 = Microwave Sensor w/ Emergency Battery Backup /BL/E2 = Bi-Level Control w/ Emergency Battery Backup /LC/E2 = Lightcloud Controller w/ Emergency Battery Backup