



Textured Black Frame with Natural Leaves Lens

Note: Fixture will come fully assembled with the frame and lens shown above.

| | |
|---------------------|--------------|
| Project: | Type: |
| Prepared By: | Date: |

| Driver Info | | LED Info | |
|--------------|------------------|---------------|----------------------|
| Type: | Constant Current | Watts: | 25W |
| 120V: | 0.22A | Color Temp: | 3500K (Warm Neutral) |
| 208V: | 0.13A | Color | 95 CRI |
| 240V: | 0.11A | Accuracy: | R9: 85 |
| 277V: | 0.1A | L70 Lifespan: | 50,000 |
| Input Watts: | 26W | Lumens: | 425 |
| Efficiency: | 97% | Efficacy: | 16 LPW |

Technical Specifications

Listings

UL Listed:

Suitable for damp locations. Recommended for indoor use only.

ADA Compliant:

Meets ADA Requirements for wall-mounted luminaires.

IESNA LM-79 & IESNA LM-80 Testing:

RAB LED luminaires and LED components have been tested by an independent laboratory in accordance with IESNA LM-79 and LM-80.

LED Characteristics

Lifespan:

50,000-hour LED lifespan based on IES LM-80 results and TM-21 calculations

LEDs:

Long-life, High efficiency, micro-power, surface mount LEDs; binned and mixed for uniform light output and color

Light Loss Factor:

0.18

Color Stability:

LED color temperature is warranted to shift no more than 200K in CCT over a 5 year period

Color Uniformity:

RAB's range of CCT (Correlated Color Temperature) follows the guidelines of the American National Standard for Specifications for the Chromaticity of Solid State Lighting (SSL) Products, ANSI C78.377-2017.

Electrical

Dimming Driver:

0 - 10V (at 120-277V), TRIAC and ELV (at 120V only)

Battery Backup:

Battery backup will operate the LED Lamp for 90 minutes if power fails. Wired for 120V-277V.

Driver:

Constant Current, Class 2, 120-277VAC, 50/60Hz, 350mA or 640mA

THD:

12.6% at 120V, 16.1% at 277V

Power Factor:

98.4% at 120V, 94.3% at 277V

Construction

Housing:

Die-cast and extruded aluminum

Mounting:

Wall mount with junction box included

Lens:

Acrylic lens with natural leaves print. See for cleaning instructions.

Ambient Operating Temperature:

-20°C (-4°F) to 40°C (104°F)

Green Technology:

Mercury and UV-free. RoHS compliant components.

Finish:

Textured Black using our environmentally friendly polyester powder coatings are formulated for high-durability and long-lasting color

Other

Equivalency :

Equivalent to 100W Incandescent

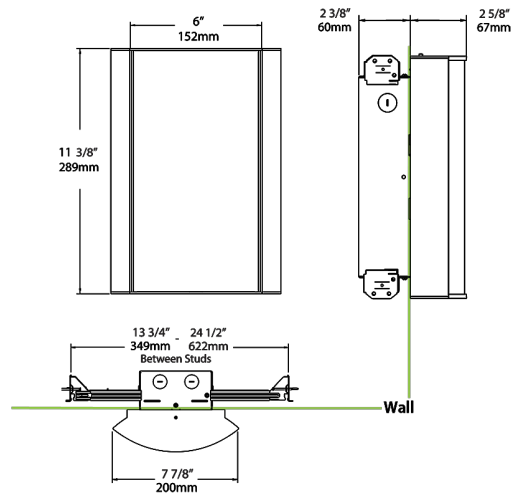
Warranty:

RAB warrants that our LED products will be free from defects in materials and workmanship for a period of five (5) years from the date of delivery to the end user, including coverage of light output, color stability, driver performance and fixture finish. RAB's warranty is subject to all terms and conditions found at

Buy American Act Compliance:

RAB values USA manufacturing! Upon request, RAB may be able to manufacture this product to be compliant with the Buy American Act (BAA). Please contact customer service to request a quote for the product to be made BAA compliant.

Dimensions



Ordering Matrix

| Family | Lumen Package | CRI and CCT | | Lens | | Finish | Options |
|--------|--------------------|--------------------|---|-----------------------------------|---|--------------------|--|
| HALVS | 18L | 935 | - | NL | - | K | /E2 |
| | 10L = 1000lm / 14W | 940 = 90CRI, 4000K | | F = Frosted (Standard) | | W = White | Blank = No Option |
| | 18L = 1800lm / 25W | 935 = 90CRI, 3500K | | FG1 = Frosted with Grill Style #1 | | K = Black | /E2 = Emergency Battery Backup |
| | | 930 = 90CRI, 3000K | | FG2 = Frosted with Grill Style #2 | | S = Silver | /MVS = Occupancy Sensor |
| | | 927 = 90CRI, 2700K | | FG3 = Frosted with Grill Style #3 | | A = Antique Bronze | /BL = Bi-Level Control |
| | | | | NL = Natural Leaves | | SA = Satin Nickel | /LC = Lightcloud Controller |
| | | | | GL = Green Leaves | | CU = Copper | /MVS/E2 = Microwave Sensor w/ Emergency Battery Backup |
| | | | | TL = Toffee Leaves | | | /BL/E2 = Bi-Level Control w/ Emergency Battery Backup |
| | | | | LW = Linen Hampton White | | | /LC/E2 = Lightcloud Controller w/ Emergency Battery Backup |
| | | | | LS = Linen Stone | | | |
| | | | | LH = Linen Harbor | | | |
| | | | | MS = Metallic Spun Silver | | | |
| | | | | MC = Metallic Spun Copper | | | |
| | | | | MG = Metallic Spun Gold | | | |
| | | | | CW = Crush Polar White | | | |
| | | | | CS = Crush Sedona | | | |
| | | | | MP = Mirage Platinum | | | |
| | | | | MA = Mirage Bronze | | | |