



Haybay's modular design creates a world of flexibility by keeping your base price low and letting you choose specific options like reflectors, motion sensors and emergency batteries separately.

Color: White

Weight: 15.7 lbs

<b>Project:</b>	<b>Type:</b>
<b>Prepared By:</b>	<b>Date:</b>

Driver Info		LED Info	
Type:	Constant Current	Watts:	180W
120V:	2.4A	Color Temp:	5000K
208V:	0.92A	Color Accuracy:	73 CRI
240V:	0.8A	L70 Lifespan:	100000
277V:	0.7A	Lumens:	21242
Input Watts:	185W	Efficacy:	115 LPW
Efficiency:	97%		

## Technical Specifications

### Lightcloud

#### Lightcloud Installed:

Lightcloud is a commercial wireless lighting control system and service fully developed and supported by RAB. It's powerful and flexible, yet easy to use and install.

### Listings

#### UL Listing:

Suitable for damp locations

#### IESNA LM-79 & LM-80 Testing:

RAB LED luminaires have been tested by an independent laboratory in accordance with IESNA LM-79 and LM-80, and have received the Department of Energy "Lighting Facts" label.

#### DLC Listed:

This product is on the Design Lights Consortium (DLC) Qualified Products List and is eligible for rebates from DLC Member Utilities.  
DLC Product Code: PTH17QXW

### Construction

#### Vibration Rating:

Industry-leading 5G vibration rating per ANSI C136.31.

#### Cold Weather Starting:

Minimum starting temperature is -40°C (-40°F)

#### Ambient Temperature:

Suitable for use in 40°C (104°F) ambient temperatures.

#### Housing:

Precision die-cast aluminum with sheet metal driver bracket/mounting

#### Mounting:

Heavy-duty 3/4" NPS hook and 6 ft. cord; is also 3/4" pendant mount capable (pendant by others).

#### Finish:

Our environmentally friendly polyester powder coatings are formulated for high durability and long-lasting color, and contain no VOC or toxic heavy metals.

#### Green Technology:

Mercury and UV free. RoHS compliant components.

### LED Characteristics

#### LEDs:

Long-life, high-efficiency, surface mount LEDs.

#### Lifespan:

100,000-hour LED lifespan based on IES LM-80 results and TM-21 calculations.

#### Color Uniformity:

RAB's range of CCT (Correlated Color Temperature) follows the guidelines of the American National Standard for (SSL) Products, ANSI C78.377-2015.

### Electrical

#### Drivers:

Class 1, programmable, constant current, 50/60 Hz., 120-277V, 120V: 2.4A, 208: 0.92A, 240V: 0.8A, 277V: 0.7A

#### Dimming Driver:

Driver includes dimming control wiring for 0-10V dimming systems. Requires separate 0-10V DC dimming circuit. Dims as low as 10%.

#### THD:

5.8% at 120V, 8.4% at 277V

#### Power Factor:

99.8% at 120V, 96.2% at 277V

#### Surge Protection:

4kV

### Other

#### Reflector Options:

Clear prismatic acrylic reflectors available in 11" or 8.5" height; frosted prismatic acrylic reflectors available in 11" or 8.5" height; white aluminum reflector available in 5" height. Click to see all reflectors.

#### 5 Yr Limited Warranty:

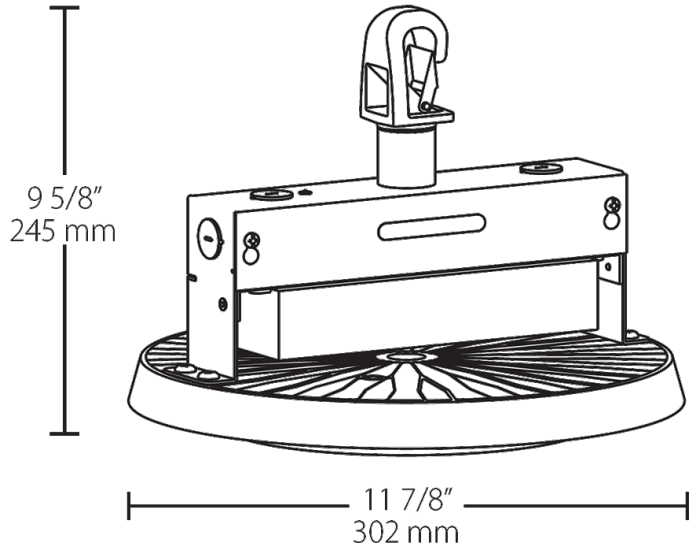
RAB warrants fixture operation and paint finish for a period of 5 years.

#### Buy American Act Compliance:

RAB values USA manufacturing! Upon request, RAB may be able to manufacture this product to be compliant with the Buy American Act (BAA). Please contact customer service to request a quote for the product to be made BAA compliant.

# HAYBAY180/D10/LC

## Dimensions



## Features

- Simple. Affordable, Modular design.
- Open "airflow" design reduces operating temperatures and increases lifespan
- Assortment of reflectors tailor the Haybay to specific applications
- Available with a Lightcloud Controller, Lightcloud Sensor and other compatible RAB sensors

## Ordering Matrix

Family	Wattage	Color Temp	Driver	Sensor Options	Options	
HAYBAY	180		/D10	/LC		
180 = 180W		Blank = 5000K	/D10 = 0-10V Dimming (standard)		Blank = No Sensor	Blank = No Emergency Battery Backup
150 = 150W		N = 4000K			/LOS = LOSBAY 800 Sensor (base fixture only)	/E2 = Emergency Backup, 120-277V
130 = 130W					/LOSR = LOSBAY 800 Sensor (requires reflector)	
100 = 100W					/LC = Lightcloud®™ Controller	
					/LCS = Lightcloud®™ Sensor (base fixture only)	
					/LCSR = Lightcloud®™ Sensor (requires reflector)	