



Haybay's modular design creates a world of flexibility by keeping your base price low and letting you choose specific options like reflectors, motion sensors and emergency batteries separately.

Color: White

Weight: 15.7 lbs

<b>Project:</b>	<b>Type:</b>
<b>Prepared By:</b>	<b>Date:</b>

Driver Info		LED Info	
Type:	Constant Current	Watts:	180W
120V:	2.4A	Color Temp:	5000K
208V:	0.92A	Color Accuracy:	73 CRI
240V:	0.8A	L70 Lifespan:	100000
277V:	0.7A	Lumens:	21242
Input Watts:	185W	Efficacy:	115 LPW
Efficiency:	97%		

## Technical Specifications

### Lightcloud

#### Lightcloud Sensor Installed:

The Lightcloud Sensor is a dual-technology motion detector that can switch and dim both local and remote circuits. It monitors power consumption, and can send an alert if power is lost. Compatible with only the 11" reflectors.

### Listings

#### UL Listing:

Suitable for damp locations

#### IESNA LM-79 & LM-80 Testing:

RAB LED luminaires have been tested by an independent laboratory in accordance with IESNA LM-79 and LM-80, and have received the Department of Energy "Lighting Facts" label.

#### DLC Listed:

This product is on the Design Lights Consortium (DLC) Qualified Products List and is eligible for rebates from DLC Member Utilities.  
DLC Product Code: PTH17QXW

### Construction

#### Vibration Rating:

Industry-leading 5G vibration rating per ANSI C136.31.

#### Cold Weather Starting:

Minimum starting temperature is -40°C (-40°F)

#### Ambient Temperature:

Suitable for use in 40°C (104°F) ambient temperatures.

#### Housing:

Precision die-cast aluminum with sheet metal driver bracket/mounting

#### Mounting:

Heavy-duty 3/4" NPS hook and 6 ft. cord; is also 3/4" pendant mount capable (pendant by others).

#### Finish:

Our environmentally friendly polyester powder coatings are formulated for high durability and long-lasting color, and contain no VOC or toxic heavy metals.

#### Green Technology:

Mercury and UV free. RoHS compliant components.

### LED Characteristics

#### LEDs:

Long-life, high-efficiency, surface mount LEDs.

#### Lifespan:

100,000-hour LED lifespan based on IES LM-80 results and TM-21 calculations.

#### Color Uniformity:

RAB's range of CCT (Correlated Color Temperature) follows the guidelines of the American National Standard for (SSL) Products, ANSI C78.377-2015.

### Electrical

#### Drivers:

Class 1, programmable, constant current, 50/60 Hz., 120-277V, 120V: 2.4A, 208: 0.92A, 240V: 0.8A, 277V: 0.7A

#### Dimming Driver:

Driver includes dimming control wiring for 0-10V dimming systems. Requires separate 0-10V DC dimming circuit. Dims as low as 10%.

#### THD:

5.8% at 120V, 8.4% at 277V

#### Power Factor:

99.8% at 120V, 96.2% at 277V

#### Surge Protection:

4kV

### Other

#### Reflector Options:

Clear prismatic acrylic reflectors available in 11" or 8.5" height; frosted prismatic acrylic reflectors available in 11" or 8.5" height; white aluminum reflector available in 5" height. Click to see all reflectors.

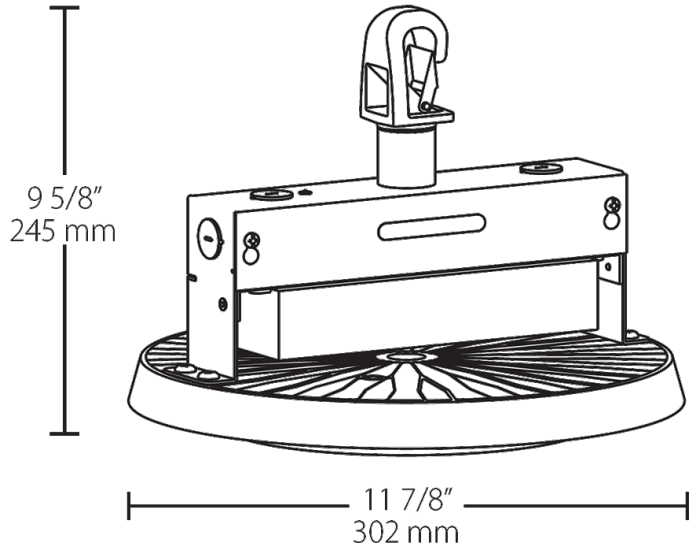
#### 5 Yr Limited Warranty:

RAB warrants fixture operation and paint finish for a period of 5 years.

#### Buy American Act Compliance:

RAB values USA manufacturing! Upon request, RAB may be able to manufacture this product to be compliant with the Buy American Act (BAA). Please contact customer service to request a quote for the product to be made BAA compliant.

## Dimensions



## Features

- Simple. Affordable, Modular design.
- Open "airflow" design reduces operating temperatures and increases lifespan
- Assortment of reflectors tailor the Haybay to specific applications
- Available with a Lightcloud Controller, Lightcloud Sensor and other compatible RAB sensors

## Ordering Matrix

Family	Wattage	Color Temp	Driver	Sensor Options	Options
HAYBAY	180		/D10	/LCSR	
180 = 180W 150 = 150W 130 = 130W 100 = 100W		Blank = 5000K N = 4000K	/D10 = 0-10V Dimming (standard)	Blank = No Sensor /LOS = LOSBAY 800 Sensor (base fixture only) /LOSR = LOSBAY 800 Sensor (requires reflector) /LC = Lightcloud®™ Controller /LCS = Lightcloud®™ Sensor (base fixture only) /LCSR = Lightcloud®™ Sensor (requires reflector)	Blank = No Emergency Battery Backup /E2 = Emergency Backup, 120-277V