

HAZSLED80FG-G



Stanchion Mount HAZLED is a Class I, Division 2 LED fixture designed with 60 years of experience in hazardous location lighting.

Color: Gray

Weight: 17.3 lbs

Project:

Type:

Prepared By:

Date:

Driver Info

| | |
|--------------|------------------|
| Type: | Constant Current |
| 120V: | 0.68A |
| 208V: | 0.40A |
| 240V: | 0.35A |
| 277V: | 0.3A |
| Input Watts: | 81W |
| Efficiency: | 98% |

LED Info

| | |
|-----------------|--------|
| Watts: | 80W |
| Color Temp: | 5000K |
| Color Accuracy: | N/A |
| L70 Lifespan: | 100000 |
| Lumens: | N/A |
| Efficacy: | 0 LPW |

Technical Specifications

LED Characteristics

*Photometrics:

Lumens and CRI not available for HAZLED with color globes.

LEDs:

Multi-chip, high-output, long-life LEDs

Lifespan:

100,000-hour LED lifespan based on IES LM-80 results and TM-21 calculations.

Color Stability:

LED color temperature is warranted to shift no more than 200K in CCT over a 5 year period.

Color Uniformity:

RAB's range of CCT (Correlated Color Temperature) follows the guidelines of the American National Standard for Specifications for the Chromaticity of Solid State Lighting (SSL) Products, ANSI C78.377-2011.

Hazardous Location Classifications

UL 844:

Electric lighting fixtures for use in hazardous (classified) locations

UL 1598:

Electric lighting fixtures for use in non-hazardous locations

UL 8750:

Light Emitting Diode (LED) Light Sources for Use in Lighting Products

Hazardous Location Classifications:

Class I: A hazardous location in which flammable gases or vapors may be present in the air in sufficient quantities to be explosive or ignitable, such as petroleum refineries, aircraft hangars, dry cleaning plants, utility gas plants or storage areas for liquified petroleum or natural gas, and spray finishing areas.

Division 2: Abnormal condition, where ignitable concentrations of flammable gases, vapors or liquids are not like to exist under normal operating conditions, for example:

Closed storage drums containing flammable liquids in an inside storage room would not normally allow the hazardous vapors to escape into the atmosphere. But if one of the containers is leaking, you've got an abnormal condition.

Groups A - D: The gases and vapors of Class 1 locations are broken into four groups by the Code: A, B, C, and D. These materials are grouped according to the ignition temperature of the substance, its explosion pressure, and other flammable characteristics.

Group A - The only substance in group A is acetylene because it is a gas with extremely high explosion pressures.

Group B - This group includes hydrogen and other materials with similar characteristics.

Group C & D - The most usual Class 1 groups. They comprise the greatest percentage of all Class I hazardous locations. Found in Group C is ethylene.

Found in Group D are many of the most common flammable substances such as butane, propane, natural gas and propane.

Electrical

Driver:

Constant Current, Class 2, 100-277V, 50/60 Hz, 2000mA, THD <20%

Construction

Minimum Starting Temperature:

-40°C

Maximum Ambient Temperature:

Suitable for use in 55°C (131°F) ambient temperatures.

IP Rating:

Ingress Protection rating of IP66 for dust and water.

Thermal Management:

Superior heat sinking with external Air-Flow fins

Housing:

Die-cast aluminum housing, lens frame and mounting arm

Hardware:

All external hardware is stainless steel

Reflector:

Semi-specular aluminum

Lens/Globes:

Clear flat glass lens

Mounting:

Stanchion mounting to 1 1/2" stanchion

Gaskets:

Closed cell silicone gasket

Finish:

Our environmentally friendly polyester powder coatings are formulated for high-durability and long-lasting color, and contain no VOC or toxic heavy metals.

Green Technology:

Mercury and UV free. RoHS compliant components. Polyester powder coat finish formulated without the use of VOC or toxic heavy metals.

Other

Replacement:

The HAZLED 80W replaces 150W Metal Halide.

Country of Origin:

Designed by RAB in New Jersey and assembled in the USA by RAB's IBEW Local 3 workers.

Buy American Act Compliant:

This product is a COTS item manufactured in the United States, and is compliant with the Buy American Act.

Recovery Act (ARRA) Compliant:

This product complies with the 52.225-21 "Required Use of American Iron, Steel, and Manufactured Goods-- Buy American Act-- Construction Materials (October 2010).

Technical Specifications (continued)

Other

Trade Agreements Act Compliant:

This product is a COTS item manufactured in the United States, and is compliant with the Trade Agreements Act.

GSA Schedule:

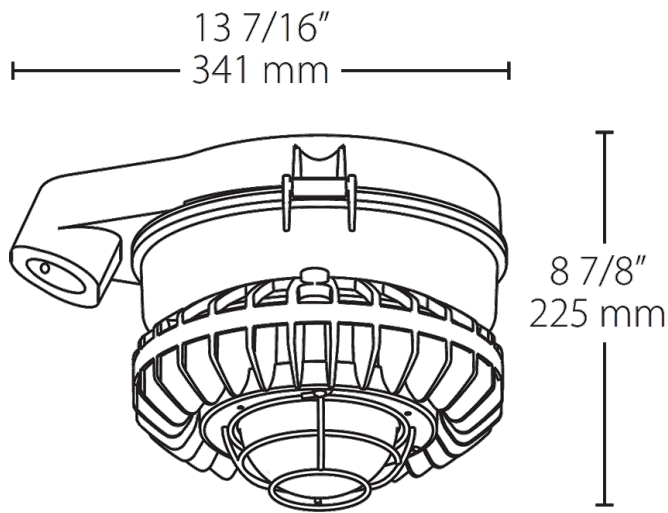
Suitable in accordance with FAR Subpart 25.4.

Listings

IESNA LM-79 & LM-80 Testing:

RAB LED luminaires have been tested by an independent laboratory in accordance with IESNA LM-79 and LM-80, and have received the Department of Energy "Lighting Facts" label.

Dimensions



Features

Class 1, Division 2, Groups A, B, C, D

IP66, UL1598, UL8750 and UL 844 ratings

Resistant to shock and vibration

Rugged construction ensures long-life and safe operation

100,000-Hour LED lifespan

5-Year, no-compromise warranty