



LED Floodlights for solar applications or other 10-30 VDC systems. Perfect for off-grid, remote-area lighting. Up to 85% more efficient than line voltage AC solutions.

Color: White

Weight: 3.5 lbs

Project:

Type:

Prepared By:

Date:

Driver Info

Type:	DC to DC
120V:	N/A
208V:	N/A
240V:	N/A
277V:	N/A
Input Watts:	15W
Efficiency:	85%

LED Info

Watts:	13W
Color Temp:	5000K
Color Accuracy:	61 CRI
L70 Lifespan:	100000
Lumens:	724
Efficacy:	47 LPW

Technical Specifications

LED Characteristics

Lifespan:

100,000-hour LED lifespan based on IES LM-80 results and TM-21 calculations.

LEDs:

Multi-chip 13 watt, high-output, long-life LEDs.

Color Consistency:

7-step MacAdam Ellipse binning to achieve consistent fixture-to-fixture color.

Color Stability:

LED color temperature is warrantied to shift no more than 200K in CCT over a 5 year period.

Color Accuracy:

61 CRI

Color Temperature:

5000K

Color Uniformity:

RAB's range of CCT (Correlated Color Temperature) follows the guidelines of the American National Standard for Specifications for the Chromaticity of Solid State Lighting (SSL) Products, ANSI C78.377-2015.

Electrical

Electrical Input Specifications:

Max Watts = 15W. Input Volts = 10-30 VDC. Operating Amps = 1.5 - 0.5A.

Construction

Cold Weather Starting:

The minimum starting temperature is -30°C (-22° F).

Thermal Management:

Die-cast aluminum Thermal Management system for optimal heat dissipation.

Housing:

Die-cast aluminum housing, hood and mounting arm.

Swivels:

Fully adjustable with sure-grip locks. 1/2" NPS threaded arm with serrated locking swivel fits all standard mounting covers. Color matched EZ Grip lock nuts. Stainless steel screw.

Mounting:

Heavy-duty arm with "O" ring seal and stainless steel screws.

Gaskets:

High-temperature silicone gaskets.

Finish:

Our environmentally friendly polyester powder coatings are formulated for high-durability and long-lasting color, and contains no VOC or toxic heavy metals.

Green Technology:

Mercury and UV free. RoHS compliant components. Polyester powder coat finish formulated without the use of VOC or toxic heavy metals.

Optical

Reflector:

Specular aluminum. NEMA 5x5 floodlight reflector with 4x4 optional spotlight reflector for field installation. Photometrics show flood configuration.

Listings

IESNA LM-79 & LM-80 Testing:

RAB LED luminaires have been tested by an independent laboratory in accordance with IESNA LM-79 and LM-80, and have received the Department of Energy "Lighting Facts" label.

Other

California Title 24:

LFLOOD complies with California Title 24 building and electrical codes.

Patents:

The design of the LFLOOD is protected by US patents pending in US., Canada, China, Taiwan & Mexico.

Warranty:

RAB warrants that our LED products will be free from defects in materials and workmanship for a period of five (5) years from the date of delivery to the end user, including coverage of light output, color stability, driver performance and fixture finish.

Country of Origin:

Designed by RAB in New Jersey and assembled in the USA by RAB's IBEW Local 3 workers.

Buy American Act Compliant:

This product is a COTS item manufactured in the United States, and is compliant with the Buy American Act.

Recovery Act (ARRA) Compliant:

This product complies with the 52.225-21 "Required Use of American Iron, Steel, and Manufactured Goods-- Buy American Act-- Construction Materials (October 2010).

Trade Agreements Act Compliant:

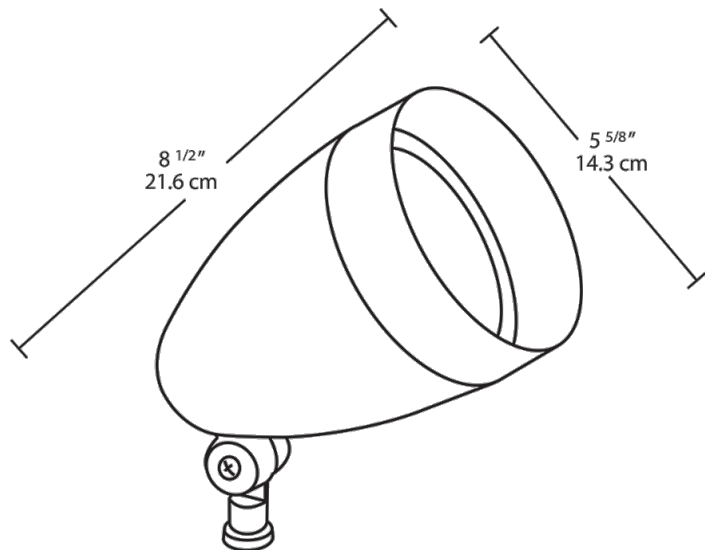
This product is a COTS item manufactured in the United States, and is compliant with the Trade Agreements Act.

GSA Schedule:

Suitable in accordance with FAR Subpart 25.4.

HBLED13DCW

Dimensions



Features

- Low voltage DC
- Ideal for solar applications
- Up to 85% more energy efficient
- No energy-loss from DC-AC inverter
- Enables off-grid, remote-area lighting
- 5-year warranty

Ordering Matrix

Family	Watts	DC	Finish
HBLED	10 = 10W 13 = 13W	DC = DC	A = Bronze W = White B = Black VG = Verde Green