

**Project:**

**Type:**

**Prepared By:**

**Date:**



UPC: 019813908397



## Features and Benefits

Replacement for traditional Metal Halide or High Pressure Sodium HID Lamps up to 400W

Multiple angle configurations ideal for low/high bay, shoebox, and post top applications

Active Cooling: Internal sensor overheat and engaged will automatically reduce output to 70% rated wattage until the sensor cools and will light up again to 100%

Integral Driver enables lamp to be wired directly to line voltage without need for an external driver or ballast

Rated for use in enclosed and open fixtures in dry or damp locations

4kV surge protection built in

50,000 hour Lifespan

Environmentally friendly, no mercury used

UL Listed, DLC Listed

Non-Dimmable

5 Year No Compromise Warranty

Lamp includes on board low-voltage AUX port for lamp level sensor accessories

## Technical Specifications

### Performance

**Product Type:**

HID

**Input Wattage:**

100W

**Lumens (Nominal):**

15000

**Efficacy:**

150 lm/W

**Color Accuracy:**

80

**Color Temperature:**

5000K

**Dimmable:**

Yes

**L70 Lifespan:**

50,000-Hour LED lifespan based on IES LM-80 results and TM-21 calculations

### Construction

**Bulb Shape:**

Post Top/ High Bay / Shoebox

**Enclosure Material:**

Polycarbonate & Metal heat sink

**Housing Finish:**

White

**Base Type:**

EX39

**Beam Angle:**

180°

### Electrical

**THD:**

<20%

**Power Factor:**

>0.9

**Input Voltage:**

100-277V

**Operating Frequency:**

60 Hz

## Technical Specifications (continued)

### Electrical

#### Operating Temperature:

-30°C - 60°C

#### Surge Protection:

4kV

### Installation

#### Installation Method:

UL Type B, Ballast Bypass

#### Burning Position:

Universal

### Other

#### Equivalency:

400W

### Technology EQ:

Metal Halide or High Pressure Sodium

### Warranty (Years):

RAB warrants that our LED products will be free from defects in materials and workmanship for a period of five (5) years from the date of delivery to the end user, including coverage of light output, color stability, driver performance and fixture finish. RAB's warranty is subject to all terms and conditions found at [rablighting.com/warranty](http://rablighting.com/warranty).

### Compliance

#### Safety Listing:

UL Listed, UL Classified

#### Environment/Fixture Rating:

Damp / Enclosed

### IP Rating:

IP64

### DLC:

This product is on the Design Lights Consortium (DLC) Qualified Products List and is eligible for rebates from DLC Member Utilities. DLC Product Code: PANEKUFM

### RoHS:

Mercury and UV free. RoHS-compliant components.

### FCC:

Complies with Part 15 of the FCC Rules

### Model Number:

H10030(HID-100-EX39-850-BYP-ADJ)

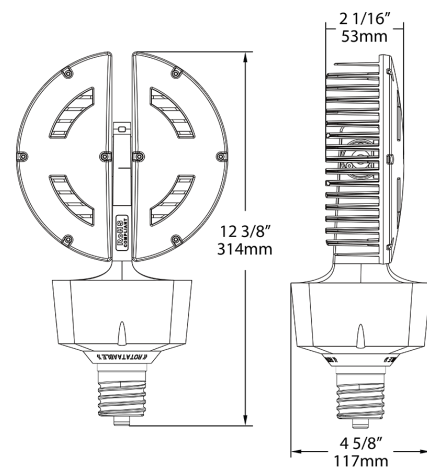
## Minimum Compartment Size

Length x Width x Height [in]	Lamp Quantity
9.8 x 9.8 x 12.9	1

## Case and Pallet Dimensions

	QTY	LENGTH (in)	WIDTH (in)	HEIGHT (in)
CASE	6	0	0	0
PALLET	72	0	0	0

## Dimension



## Light Distribution

