

Project: _____ Type: _____ Prepared By: _____ Date: _____



Features and Benefits

- Replacement for traditional Metal Halide or High Pressure Sodium HID Lamps
- Ideal for shoebox and canopy retrofit applications
- Optimized for Horizontal Applications with Directional Light Output and Rotatable base
- Active Cooling: Internal sensor overheat and engaged will automatically reduce output to 70% rated wattage until the sensor cools and will light up again to 100%
- Integral Driver enables lamp to be wired directly to line voltage without need for an external driver or ballast
- Rated for use in enclosed and open fixtures in dry or damp locations
- 4kV surge protection built in
- 50,000 hour Lifespan
- Environmentally friendly, no mercury used
- UL Listed, UL Classified, DLC Listed
- 5 Year No Compromise Warranty
- Lamp includes on board low-voltage AUX port for lamp level sensor accessories
- Compatible with RAB specified 0-10V dimming system

Technical Specifications

<p>Performance</p> <hr/> <p>Product Type: HID Replacement</p> <p>Input Wattage: 110W</p> <p>Lumens (Nominal): 16500</p> <p>Efficacy: 150 lm/W</p> <p>Color Accuracy: 80</p> <p>Color Temperature: 5000K</p>	<p>Dimmable: Yes</p> <p>L70 Lifespan: 50,000-Hour LED lifespan based on IES LM-80 results and TM-21 calculations</p> <hr/> <p>Construction</p> <p>Bulb Shape: Shoebox</p> <p>Enclosure Material: Polycarbonate & Metal heat sink</p> <p>Housing Finish: White</p> <p>Base Type: EX39</p>	<p>Electrical</p> <hr/> <p>THD: <20%</p> <p>Power Factor: >0.9</p> <p>Input Voltage: 100-277V</p> <p>Operating Frequency: 60 Hz</p> <p>Operating Temperature: -30°C - 60°C</p>
--	---	--

Technical Specifications (continued)

Electrical

Surge Protection:

4kV

Installation

Installation Method:

UL Type B, Ballast Bypass

Burning Position:

Horizontal

Other

Equivalency:

400W

Technology EQ:

Metal Halide or High Pressure Sodium

Warranty (Years):

RAB warrants that our LED products will be free from defects in materials and workmanship for a period of five (5) years from the date of delivery to the end user, including coverage of light output, color stability, driver performance and fixture finish. RAB's warranty is subject to all terms and conditions found at rablighting.com/warranty.

Compliance

Safety Listing:

UL Listed, UL Classified

Environment/Fixture Rating:

Damp / Enclosed

IP Rating:

IP64

RoHS:

Mercury and UV free. RoHS-compliant components.

FCC:

Complies with Part 15 of the FCC Rules

Model Number:

H20023(HID-110-H-EX39-850-BYP-SB-G2)

DLC Listed:

This product is on the Design Lights Consortium (DLC) Qualified Products List and is eligible for rebates from DLC Member Utilities. Designed to meet DLC 5.1 requirements.

DLC Product Code: PLXCZ2C9L7PK

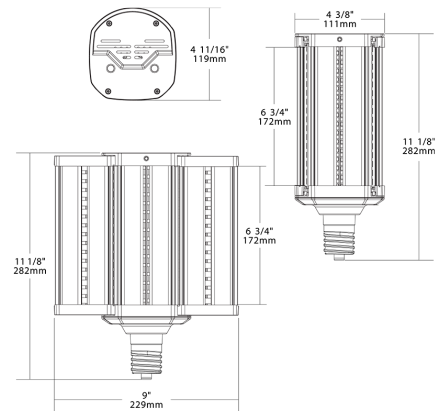
Minimum Compartment Size

Length x Width x Height [in]	Lamp Quantity
11.0 x 11.0 x 11.5	1

Case and Pallet Dimensions

	QTY	LENGTH (in)	WIDTH (in)	HEIGHT (in)
CASE	6	0	0	0
PALLET	108	0	0	0

Dimension



Light Distribution

