

HID-110-H-EX39-850-BYP-SB



Replace 250 - 400W HID lamps for shoebox area lights. Water/dust resistant. LED uses approximately 76% less energy than traditional HID lamps. Expandable flaps and rotatable base.

Color: White

Weight: 3.6 lbs

Project:	Type:
Prepared By:	Date:

Driver Info		LED Info	
Watts:	110W	Input Voltage:	100-277V
Color Temp:	5000K (Daylight)	Power Factor:	0.9
Lumens:	13,800	Flicker:	<30%
Efficacy:	126 LPW	THDi:	<20%
Color Accuracy:	80 CRI		
L70 Accuracy:	50,000		

Technical Specifications

Listings

UL Listed:

Yes

UL Classified:

Yes

FCC:

Yes

Rohs:

Yes

CEC Status:

Lawful for sale in California

DLC Qualified:

Yes

DLC Listed:

This product is on the Design Lights Consortium (DLC) Qualified Products List and is eligible for rebates from DLC Member Utilities.
DLC Product Code: POTO54B5

Description

Lamp Type:

HID

Bulb Type:

Shoe Box

Base Type:

EX39, Mogul Base

Dimmable:

No

Construction

Operating Temperature:

-20 - 40°C

Bare Lamp Illuminated Length (inches):

7.17"

MOL (inches):

11.1"

MOD (inches):

4.92"

Minimum Compartment Size (inches):

Length: 11.02"
Width: 11.02"
Height: 9.84"

LED Characteristics

Lifespan:

50,000-hour LED lifespan based on IES LM-70 results

Other

Equivalent:

400W HID Shoe Box

Warranty:

5 years

Optical

Beam Angle:

180°

Shipping Information

Case Qty:

6

Case Dimensions:

17.52 x 13.27 x 13.58

Pallet Quantity of Pieces:

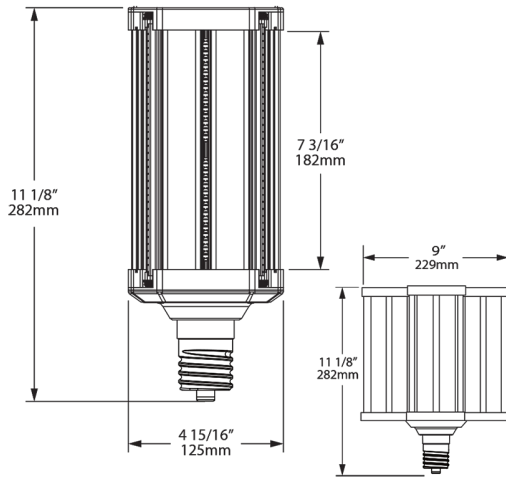
72

Pallet Dimensions:

28.5 x 37.01 x 45.47

HID-110-H-EX39-850- BYP-SB

Dimensions



Features

- Uses 76% less energy than traditional lamps
- Integral Driver, Eliminates the Need for External Driver or Ballast
- Includes 4kV Surge Protection
- 350 ° rotatable base, directs light where needed
- Integrated Heat Sink Quickly Dissipates Heat
- Suitable for Use in Fully Enclosed Fixture
- Water and dust resistant, ideal for outdoor use
- Environmentally friendly: No Mercury Used