



Replace 50 - 400W MH lamps for post tops, low bays, and high bays, in enclosed or open fixtures. 50,000-hour lifespan. Use 76% less energy than MH.

Color: White      Weight: 0.6 lbs

<b>Project:</b>	<b>Type:</b>
<b>Prepared By:</b>	<b>Date:</b>

Driver Info		LED Info	
Watts:	18W	Input Voltage:	100-277V
Color Temp:	3000K (Warm White)	Power Factor:	0.9
Lumens:	2,450	Flicker:	<30%
Efficacy:	136 LPW	THDi:	N/A
Color Accuracy:	80 CRI		
L70 Accuracy:	50,000		

## Technical Specifications

### Listings

**UL Listed:**

Yes

**UL Classified:**

Yes

**FCC:**

Yes

**Rohs:**

Yes

**CEC Status:**

Lawful for sale in California

### Description

**Lamp Type:**

HID

**Bulb Type:**

Post Top

**Base Type:**

E26, Medium Screw Base

**Dimmable:**

No

### Construction

**Operating Temperature:**

-20 - 40°C

**Bare Lamp Illuminated Length (inches):**

2.40"

**MOL (inches):**

5.71"

**MOD (inches):**

2.36"

**Minimum Compartment Size (inches):**

Length: 5.98"  
Width: 5.98"  
Height: 8.5"

### LED Characteristics

**Lifespan:**

50,000-hour LED lifespan based on IES LM-70 results

### Other

**Equivalent:**

75W HID Post Top

### Warranty:

5 years

### Optical

**Beam Angle:**

360°

### Shipping Information

**Case Qty:**

12

**Case Dimensions:**

12.2 x 9.06 x 8.46

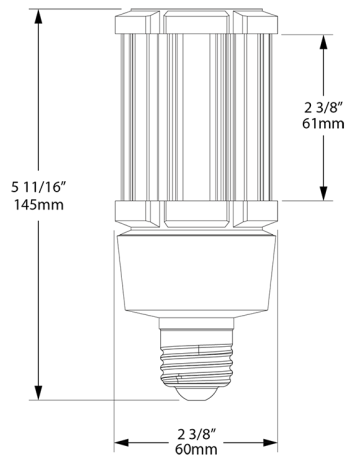
**Pallet Quantity of Pieces:**

432

**Pallet Dimensions:**

38.19 x 38.58 x 35.42

## Dimensions



## Features

- Replacement for Conventional HID Lamps
- Water and dust resistant - ideal for outdoor fixtures
- Thermal technology extends LED lifetime
- Integrated Heat Sink Quickly Dissipates Heat without onboard fan
- Internal Driver, Eliminates the Need for External Driver or Ballast
- Includes 4kV Surge Protection
- Instantly powers on without warm up time