

Project:

Type:

Prepared By:

Date:



UPC: 019813908359



Features and Benefits

Replacement for traditional Metal Halide or High Pressure Sodium HID Lamps up to 400W

Multiple angle configurations ideal for low/high bay, shoebox, and post top applications

Active Cooling: Internal sensor overheat and engaged will automatically reduce output to 70% rated wattage until the sensor cools and will light up again to 100%

Integral Driver enables lamp to be wired directly to line voltage without need for an external driver or ballast

Rated for use in enclosed and open fixtures in dry or damp locations

4kV surge protection built in

50,000 hour Lifespan

Environmentally friendly, no mercury used

UL Listed, DLC Listed

Non-Dimmable

5 Year No Compromise Warranty

Lamp includes on board low-voltage AUX port for lamp level sensor accessories

Technical Specifications

Performance

Product Type:

HID

Input Wattage:

50W

Lumens (Nominal):

7500

Efficacy:

150 lm/W

Color Accuracy:

80

Color Temperature:

5000K

Dimmable:

Yes

L70 Lifespan:

50,000-Hour LED lifespan based on IES LM-80 results and TM-21 calculations

Construction

Bulb Shape:

Post Top/ High Bay / Shoebox

Enclosure Material:

Polycarbonate & Metal heat sink

Housing Finish:

White

Base Type:

EX39

Beam Angle:

180°

Electrical

THD:

<20%

Power Factor:

>0.9

Input Voltage:

100-277V

Operating Frequency:

60 Hz

Technical Specifications (continued)

Electrical

Operating Temperature:

-30°C - 60°C

Surge Protection:

4kV

Installation

Installation Method:

UL Type B, Ballast Bypass

Burning Position:

Universal

Other

Equivalency:

200W

Technology EQ:

Metal Halide or High Pressure Sodium

Warranty (Years):

RAB warrants that our LED products will be free from defects in materials and workmanship for a period of five (5) years from the date of delivery to the end user, including coverage of light output, color stability, driver performance and fixture finish. RAB's warranty is subject to all terms and conditions found at rablighting.com/warranty.

Compliance

Safety Listing:

UL Listed, UL Classified

Environment/Fixture Rating:

Damp / Enclosed

IP Rating:

IP64

DLC:

This product is on the Design Lights Consortium (DLC) Qualified Products List and is eligible for rebates from DLC Member Utilities. DLC Product Code: PA872ZJX

RoHS:

Mercury and UV free. RoHS-compliant components.

FCC:

Complies with Part 15 of the FCC Rules

Model Number:

H10024(HID-50-EX39-850-BYP-ADJ)

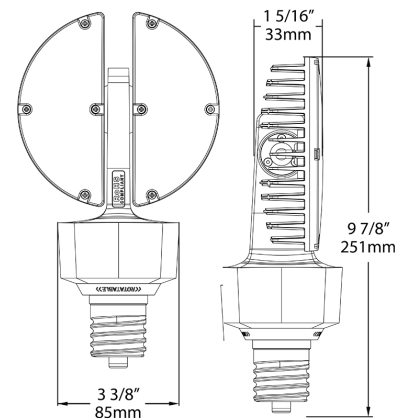
Minimum Compartment Size

Length x Width x Height [in]	Lamp Quantity
7.9 x 7.9 x 10.4	1

Case and Pallet Dimensions

	QTY	LENGTH (in)	WIDTH (in)	HEIGHT (in)
CASE	4	0	0	0
PALLET	128	0	0	0

Dimension



Light Distribution

