

HID-60-V-EX39-850-BYP-HB



Replace 200 - 400W MH lamps for high bays. 50,000-hour lifespan. Use 76% less energy than MH. 10% Uplight reduces cave effect.

Color: White

Weight: 2.3 lbs

Project:	Type:
Prepared By:	Date:

Driver Info		LED Info	
Watts:	60W	Input Voltage:	100-277V
Color Temp:	5000K (Daylight)	Power Factor:	0.9
Lumens:	8,000	Flicker:	<30%
Efficacy:	133 LPW	THDi:	<20%
Color Accuracy:	80 CRI		
L70 Accuracy:	50,000		

Technical Specifications

Listings

UL Listed:

Yes

UL Classified:

Yes

FCC:

Yes

Rohs:

Yes

CEC Status:

Lawful for sale in California

DLC Qualified:

Yes

DLC Listed:

This product is on the Design Lights Consortium (DLC) Qualified Products List and is eligible for rebates from DLC Member Utilities.

DLC Product Code: P2ZNEJRB

Description

Lamp Type:

HID

Bulb Type:

High Bay

Base Type:

EX39, Mogul Base

Dimmable:

No

Construction

Operating Temperature:

-20 - 40°C

Bare Lamp Illuminated Length (inches):

2.01"

MOL (inches):

6.57"

MOD (inches):

6.89"

Minimum Compartment Size (inches):

Length: 7.87"

Width: 7.87"

Height: 8.26"

LED Characteristics

Lifespan:

50,000-hour LED lifespan based on IES LM-70 results

Other

Equivalent:

200W HID High Bay

Warranty:

5 years

Optical

Beam Angle:

120°

Shipping Information

Case Qty:

4

Case Dimensions:

15.35 x 15.35 x 8.78

Pallet Quantity of Pieces:

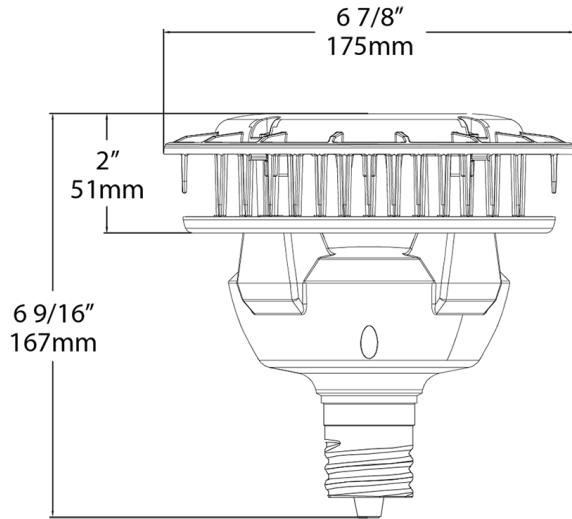
64

Pallet Dimensions:

32.68 x 32.68 x 39.84

HID-60-V-EX39-850-BYP- HB

Dimensions



Features

- Integral Driver, Eliminates the Need for External Driver or Ballast
- Includes 4kV Surge Protection
- Integrated Heat Sink Quickly Dissipates Heat
- Water and dust resistant, ideal for industrial applications
- Suitable for Use in Fully Enclosed Fixture
- Ring of LED's provide 10% up lighting to eliminate 'cave effect'
- Environmentally friendly: No Mercury Used