

Project:

Type:

Prepared By:

Date:



UPC: 019813908496



Features and Benefits

Replacement for traditional Metal Halide or High Pressure Sodium HID Lamps

Integral Driver enables lamp to be wired directly to line voltage without need for an external driver or ballast

Rated for use in enclosed and open fixtures in dry or damp locations

4kV surge protection built in

50,000 hour Lifespan

Environmentally friendly, no mercury used

UL Listed, UL Classified, DLC Listed

Non-Dimmable

Lamp includes on board low-voltage AUX port for lamp level sensor accessories

5 Year Limited Warranty

Technical Specifications

Performance

Product Type:

HID

Input Wattage:

80W

Lumens (Nominal):

10800

Efficacy:

135 lm/W

Color Accuracy:

80

Color Temperature:

5000K

Dimmable:

Yes

L70 Lifespan:

50,000-Hour LED lifespan based on IES LM-80 results and TM-21 calculations

Construction

Bulb Shape:

High Bay

Enclosure Material:

Polycarbonate & Metal heat sink

Housing Finish:

White

Base Type:

EX39

Beam Angle:

120°

Electrical

THD:

<20%

Power Factor:

>0.9

Input Voltage:

100-277V

Operating Frequency:

60 Hz

Technical Specifications (continued)

Electrical

Operating Temperature:

-30°C - 60°C

Surge Protection:

4kV

Installation

Installation Method:

UL Type B, Ballast Bypass

Burning Position:

Base Up

Other

Equivalency:

250W

Technology EQ:

Metal Halide or High Pressure Sodium

Warranty (Years):

The RAB 5-year, limited warranty covers light output, driver performance and paint finish. RAB's warranty is subject to all terms and conditions found at rablighting.com/warranty.

Compliance

Safety Listing:

UL Listed, UL Classified

Environment/Fixture Rating:

Damp / Enclosed

IP Rating:

IP64

DLC:

This product is on the Design Lights Consortium (DLC) Qualified Products List and is eligible for rebates from DLC Member Utilities.

RoHS:

Mercury and UV free. RoHS-compliant components.

FCC:

Complies with Part 15 of the FCC Rules

Model Number:

H10036(HID-80-V-EX39-850-BYP-HB-ECO)

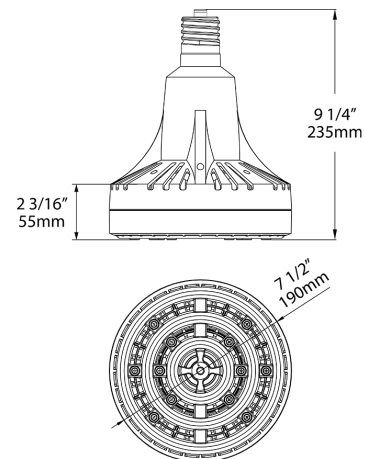
Minimum Compartment Size

Length x Width x Height [in]	Lamp Quantity
9.8 x 9.8 x 9.8	1

Case and Pallet Dimensions

	QTY	LENGTH (in)	WIDTH (in)	HEIGHT (in)
CASE	4	0	0	0
PALLET	64	0	0	0

Dimension



Light Distribution

