



Bullet shape die cast aluminum flood with 26 Watt LED Light Engine. Comes with spotlight reflector installed.

Color: Bronze

Weight: 4.6 lbs

<b>Project:</b>	<b>Type:</b>
<b>Prepared By:</b>	<b>Date:</b>

Driver Info		LED Info	
Type:	Constant Current	Watts:	26W
120V:	N/A	Color Temp:	5000K
208V:	N/A	Color Accuracy:	68 CRI
240V:	N/A	L70 Lifespan:	100000
277V:	N/A	Lumens:	2,336
Input Watts:	27W	Efficacy:	87 LPW
Efficiency:	96%		

## Technical Specifications

### Listings

#### UL Listing:

Suitable for wet locations. Suitable for ground mounting.

#### IESNA LM-79 & LM-80 Testing:

RAB LED luminaires have been tested by an independent laboratory in accordance with IESNA LM-79 and LM-80, and have received the Department of Energy "Lighting Facts" label.

### Electrical

#### Driver:

Constant Current, 700mA, 480V with 4kV surge protection, 480V: 0.06A 50/60Hz, THD < 20%, Power Factor: 99%

### Optical

#### NEMA Type:

NEMA Beam Spread of 3H x 3V

### LED Characteristics

#### LEDs:

Multi-chip, high-output, long-life LEDs

#### Color Stability:

RAB LEDs exceed industry standards for chromatic stability.

#### Color Uniformity:

RAB's range of CCT (Correlated Color Temperature) follows the guidelines of the American National Standard for Specifications for the Chromaticity of Solid State Lighting (SSL) Products, ANSI C78.377-2011.

### Construction

#### Cold Weather Starting:

Minimum starting temperature is -40°F/-40°C

#### Thermal Management:

Superior heat sinking with external Air-Flow fins

#### Housing:

Precision die-cast aluminum housing, lens frame and mounting arm.

#### Reflector:

Semi-specular, vacuum-metalized polycarbonate

#### Mounting:

Heavy-duty mounting arm with "O" ring seal & stainless steel screws.

#### Gaskets:

High-temperature silicone gaskets

#### Finish:

Our environmentally friendly polyester powder coatings are formulated for high-durability and long-lasting color, and contain no VOC or toxic heavy metals.

### Green Technology:

Mercury and UV free. RoHS compliant components. Polyester powder coat finish formulated without the use of VOC or toxic heavy metals.

### Other

#### California Title 24:

HSLED26 comply with 2013 California Title 24 building and electrical codes as a commercial outdoor non-pole-mounted fixture ≤ 30 Watts when used with a photosensor control. Select catalog number PCS900 (120V) or PCS1900/277 (277V) to order a photosensor.

#### Country of Origin:

Designed by RAB in New Jersey and assembled in the USA by RAB's IBEW Local 3 workers.

#### Buy American Act Compliant:

This product is a COTS item manufactured in the United States, and is compliant with the Buy American Act.

#### Recovery Act (ARRA) Compliant:

This product complies with the 52.225-21 "Required Use of American Iron, Steel, and Manufactured Goods-- Buy American Act-- Construction Materials (October 2010).

#### Trade Agreements Act Compliant:

This product is a COTS item manufactured in the United States, and is compliant with the Trade Agreements Act.

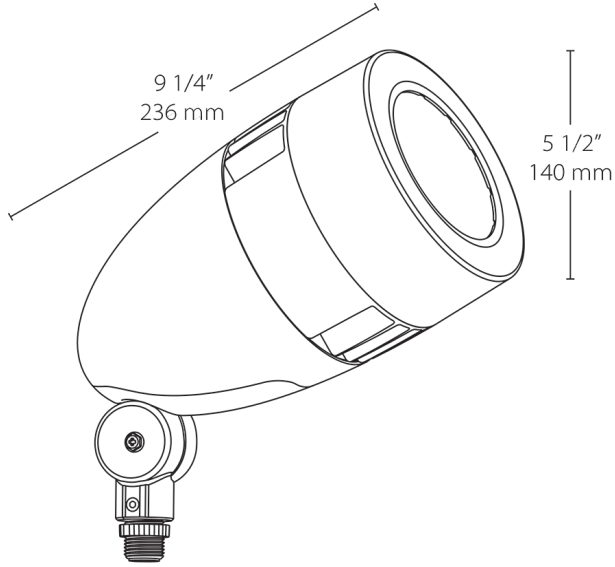
#### GSA Schedule:

Suitable in accordance with FAR Subpart 25.4.

# HSLED26A/480



## Dimensions



## Features

- 80% energy savings vs. PAR floods
- Mount on junction box or on RAB Mighty Post
- Patent-pending Air-Flow technology
- 5-year warranty

## Ordering Matrix

Family	Watts	Finish	Dimming	Voltage
HSLED	26 = 26W	A = Bronze B = Black VG = Verde Green W = White	Blank = No Dimming /D10 = Dimmable	Blank = 120-277V /480 = 480V