



Die cast aluminum visor with integral metal grill and tempered glass lens for maximum glare reduction and lamp protection. Guard protects lamp from damage and vandalism. Die cast aluminum.

Color: Black

Weight: 1.4 lbs

Project:	Type:
Prepared By:	Date:

Technical Specifications

Construction

Material:

Die cast aluminum

Guard:

Designed to fit the H101 and HB101.

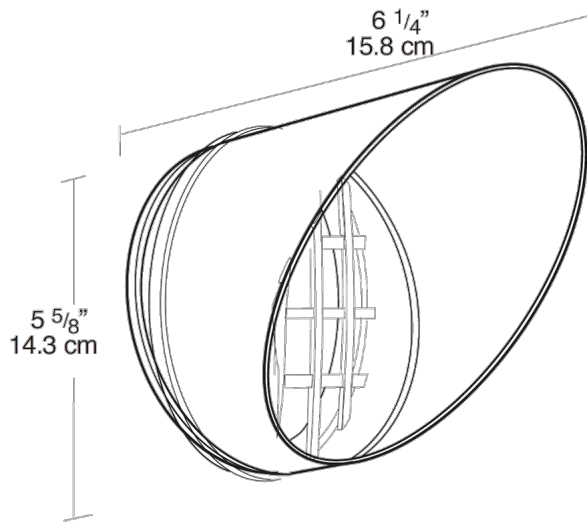
Stealth Accessory:

Guards also fit RAB's Stealth Bullet and Bell Flood Kits. .

Visor:

Visor includes glass.

Dimensions



Features

Die cast aluminum

Integral metal grill

Glass lens for maximum glare reduction and lamp protection