



Low profile, low glare. Edge-lit technology unlike any other.

Color: Black

Weight: 13.5 lbs

**Project:**

**Type:**

**Prepared By:**

**Date:**

**Driver Info**

Type: Constant Current  
 120V: N/A  
 208V: N/A  
 240V: N/A  
 277V: N/A  
 Input Watts: 42W  
 Efficiency: 90%

**LED Info**

Watts: 38W  
 Color Temp: 4000K (Neutral)  
 Color Accuracy: 73 CRI  
 L70 Lifespan: 100,000  
 Lumens: 4,677  
 Efficacy: 110 LPW

## Technical Specifications

### Listings

**UL Listing:**

Suitable for wet locations

**IESNA LM-79 & IESNA LM-80 Testing:**

RAB LED luminaires have been tested by an independent laboratory in accordance with IESNA LM-79 and LM-80

**Title 24 Compliant:**

An IVELOT edge-lit area light can be used with a motion sensor or photocell control option to comply with 2016 Title 24 Part 6 Section 130.2 (a,b,v)

### Electrical

**Driver:**

Class 2, 50/60Hz, 347-480V 4kV standard, 10kV optional

**Dimming Driver:**

Driver includes dimming control wiring for 0-10V dimming systems. Requires separate 0-10V DC dimming circuit. Dims as low as 10%.

**THD:**

12.72% at 480V

**Power Factor:**

96.2% at 480V

### LED Characteristics

**Lifespan:**

100,000-hour LED lifespan based on IES LM-80 results and TM-21 calculations at 25°C

**LEDs:**

Long-life, High efficiency, micro-power, surface mount LEDs

**Color Stability:**

LED color temperature is warranted to shift no more than 200K in CCT over a 5 year period

**Color Uniformity:**

RAB's range of CCT (Correlated Color Temperature) follows the guidelines of the American National Standard for Specifications for the Chromaticity of Solid State Lighting (SSL) Products, ANSI C78.377-2017.

### Construction

**IP Rating:**

Ingress Protection rating of IP66 for dust and water

**Cold Weather Starting:**

Minimum starting temperature is -40°C (-40°F)

**Maximum Ambient Temperature:**

Suitable for use in 40°C (104°F)

**Housing:**

Precision die-cast aluminum

**IES Classification:**

The Type II distribution is ideal for wide walkways, on ramps and entrance roadways, bike paths and other long and narrow lighting applications. This type is meant for lighting larger areas and usually is located near the roadside. This type of lighting is commonly found on smaller side streets or jogging paths.

**Mounting:**

2 3/8" slipfitter mount with stainless steel hardware

**Lens:**

Diffused Polymethyl Methacrylate (PMMA)

**Effective Projected Area:**

EPA = 0.61

**Finish:**

Formulated for high-durability and long lasting color

**Green Technology:**

Mercury and UV-free. RoHS compliant components.

### Sensor Specifications

**Multi Level Motion Sensor:**

\*40 ft. diameter coverage from 20 ft. height.

### Other

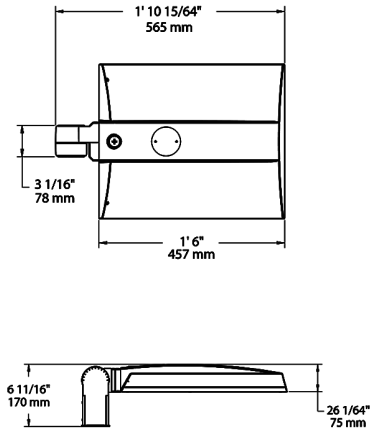
**Warranty:**

RAB warrants that our LED products will be free from defects in materials and workmanship for a period of five (5) years from the date of delivery to the end user, including coverage of light output, color stability, driver performance and fixture finish. RAB's warranty is subject to all terms and conditions found at

**Buy American Act Compliance:**

RAB values USA manufacturing! Upon request, RAB may be able to manufacture this product to be compliant with the Buy American Act (BAA). Please contact customer service to request a quote for the product to be made BAA compliant.

Dimensions



Features

- 0-10V Dimming, standard
- 100,000-Hour LED lifespan

Ordering Matrix

Family	Distribution	Lumen Output	Mounting	CRI/CCT	Finish	Voltage/Driver	Sensor Options	Lightcloud Option
IVA	T2	45L	SF	740	K	H	/WS2	^
	T2 = Type II T3 = Type III T4 = Type IV T5S = Type V Square FT = Forward Throw	45L = 4,500 lumens (38W) 75L = 7,500 lumens (67W) 100L = 10,000 lumens (94W) 130L = 13,000 lumens (117W)	PA = Universal Pole Adapter WM = Wall mount SF = Slipfitter	750 = 70CRI 5000K 740 = 70CRI 4000K 730 = 70CRI 3000K	Z = Bronze W = White G = Roadway Gray K = Black	U = 120-277V 0-10V Dimming H = 347-480V, 0-10V Dimming	Blank = No Options /WS = 8ft lens Wattstopper /WS2 = 20ft lens Wattstopper /WS4 = 40ft lens Wattstopper /7PR = 7-pin receptacle	Blank = No Lightcloud /LC = Lightcloud Controller