



Low profile, low glare. Edge-lit technology unlike any other.

Color: Black

Weight: 13.5 lbs

|                     |              |
|---------------------|--------------|
| <b>Project:</b>     | <b>Type:</b> |
| <b>Prepared By:</b> | <b>Date:</b> |

| Driver Info  |                  | LED Info        |                 |
|--------------|------------------|-----------------|-----------------|
| Type:        | Constant Current | Watts:          | 38W             |
| 120V:        | N/A              | Color Temp:     | 4000K (Neutral) |
| 208V:        | N/A              | Color Accuracy: | 72 CRI          |
| 240V:        | N/A              | L70 Lifespan:   | 100,000         |
| 277V:        | N/A              | Lumens:         | 5,057           |
| Input Watts: | 42W              | Efficacy:       | 120 LPW         |
| Efficiency:  | 90%              |                 |                 |

## Technical Specifications

### Lightcloud

#### Lightcloud Controller Installed:

Fixture, Zone, and plug-load control from one powerful device. Capable of switching, 0-10V dimming, power monitoring. Can also be used to extend the range of the Lightcloud mesh network. Attach to fixture, junction box, or electrical panel.

### Listings

#### UL Listing:

Suitable for wet locations

#### IESNA LM-79 & IESNA LM-80 Testing:

RAB LED luminaires have been tested by an independent laboratory in accordance with IESNA LM-79 and LM-80

#### Title 24 Compliant:

An IVELOT edge-lit area light can be used with a motion sensor or photocell control option to comply with 2016 Title 24 Part 6 Section 130.2 (a,b,v)

### Electrical

#### Driver:

Class 2, 50/60Hz, 347-480V 4kV standard, 10kV optional

#### Dimming Driver:

Driver includes dimming control wiring for 0-10V dimming systems. Requires separate 0-10V DC dimming circuit. Dims as low as 10%.

#### THD:

6.37% at 480V

#### Power Factor:

93.5% at 480V

### LED Characteristics

#### Lifespan:

100,000-hour LED lifespan based on IES LM-80 results and TM-21 calculations at 25°C

#### LEDs:

Long-life, High efficiency, micro-power, surface mount LEDs

#### Color Stability:

LED color temperature is warrantied to shift no more than 200K in CCT over a 5 year period

#### Color Uniformity:

RAB's range of CCT (Correlated Color Temperature) follows the guidelines of the American National Standard for Specifications for the Chromaticity of Solid State Lighting (SSL) Products, ANSI C78.377-2017.

### Construction

#### IP Rating:

Ingress Protection rating of IP66 for dust and water

#### Cold Weather Starting:

Minimum starting temperature is -40°C (-40°F)

#### Maximum Ambient Temperature:

Suitable for use in 40°C (104°F)

#### Housing:

Precision die-cast aluminum

#### IES Classification:

The Type IV distribution is especially suited for mounting on the sides of buildings and walls, and for illuminating the perimeter of parking areas. It produces a semiCircular distribution with essentially the same candlepower at lateral angles from 90° to 270°.

#### Mounting:

2 3/8" slipfitter mount with stainless steel hardware

#### Lens:

Diffused Polymethyl Methacrylate (PMMA)

#### Effective Projected Area:

EPA = 0.61

#### Finish:

Formulated for high-durability and long lasting color

#### Green Technology:

Mercury and UV-free. RoHS compliant components.

### Sensor Specifications

#### Multi Level Motion Sensor:

\*40 ft. diameter coverage from 20 ft. height.

### Other

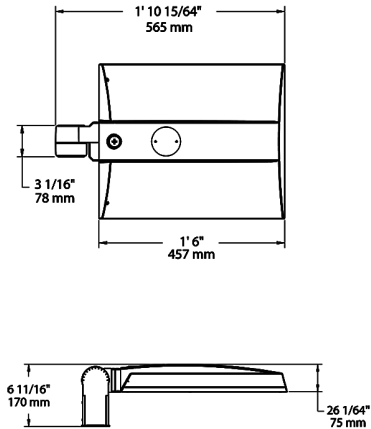
#### Warranty:

RAB warrants that our LED products will be free from defects in materials and workmanship for a period of five (5) years from the date of delivery to the end user, including coverage of light output, color stability, driver performance and fixture finish. RAB's warranty is subject to all terms and conditions found at

#### Buy American Act Compliance:

RAB values USA manufacturing! Upon request, RAB may be able to manufacture this product to be compliant with the Buy American Act (BAA). Please contact customer service to request a quote for the product to be made BAA compliant.

### Dimensions



### Features

- 0-10V Dimming, standard
- 100,000-Hour LED lifespan

### Ordering Matrix

| Family              | Distribution | Lumen Output                | Mounting                    | CRI/CCT           | Finish           | Voltage/Driver              | Sensor Options               | Lightcloud Option           |
|---------------------|--------------|-----------------------------|-----------------------------|-------------------|------------------|-----------------------------|------------------------------|-----------------------------|
| IVA                 | T4           | 45L                         | SF                          | 740               | K                | H                           | /WS2                         | /LC                         |
| T2 = Type II        |              | 45L = 4,500 lumens (38W)    | PA = Universal Pole Adapter | 750 = 70CRI 5000K | Z = Bronze       | U = 120-277V 0-10V Dimming  | Blank = No Options           | Blank = No Lightcloud       |
| T3 = Type III       |              | 75L = 7,500 lumens (67W)    | WM = Wall mount             | 740 = 70CRI 4000K | W = White        | H = 347-480V, 0-10V Dimming | /WS = 8ft lens Wattstopper   | /LC = Lightcloud Controller |
| T4 = Type IV        |              | 100L = 10,000 lumens (94W)  | SF = Slipfitter             | 730 = 70CRI 3000K | G = Roadway Gray |                             | /WS2 = 20ft lens Wattstopper |                             |
| T5S = Type V Square |              | 130L = 13,000 lumens (117W) |                             |                   | K = Black        |                             | /WS4 = 40ft lens Wattstopper |                             |
| FT = Forward Throw  |              |                             |                             |                   |                  |                             | /7PR = 7-pin receptacle      |                             |