



Low profile, low glare. Edge-lit technology unlike any other.

Color: White

Weight: 20.0 lbs

| | |
|---------------------|--------------|
| Project: | Type: |
| Prepared By: | Date: |

| Driver Info | | LED Info | |
|--------------|------------------|-----------------|--------------|
| Type: | Constant Current | Watts: | 117W |
| 120V: | N/A | Color Temp: | 3000K (Warm) |
| 208V: | N/A | Color Accuracy: | 82 CRI |
| 240V: | N/A | L70 Lifespan: | 100,000 |
| 277V: | N/A | Lumens: | 12,495 |
| Input Watts: | 117W | Efficacy: | 107 LPW |
| Efficiency: | N/A | | |

Technical Specifications

Listings

UL Listing:

Suitable for wet locations

IESNA LM-79 & IESNA LM-80 Testing:

RAB LED luminaires have been tested by an independent laboratory in accordance with IESNA LM-79 and LM-80

Title 24 Compliant:

An IVELOT edge-lit area light can be used with a motion sensor or photocell control option to comply with 2016 Title 24 Part 6 Section 130.2 (a,b,v)

Electrical

Driver:

Class 2, 50/60Hz, 347-480V 4kV standard, 10kV optional

Dimming Driver:

Driver includes dimming control wiring for 0-10V dimming systems. Requires separate 0-10V DC dimming circuit. Dims as low as 10%.

THD:

5.97% at 480V

Power Factor:

93.6% at 480V

LED Characteristics

Lifespan:

100,000-hour LED lifespan based on IES LM-80 results and TM-21 calculations at 25°C

LEDs:

Long-life, High efficiency, micro-power, surface mount LEDs

Color Stability:

LED color temperature is warranted to shift no more than 200K in CCT over a 5 year period

Color Uniformity:

RAB's range of CCT (Correlated Color Temperature) follows the guidelines of the American National Standard for Specifications for the Chromaticity of Solid State Lighting (SSL) Products, ANSI C78.377-2017.

Construction

IP Rating:

Ingress Protection rating of IP66 for dust and water

Cold Weather Starting:

Minimum starting temperature is -40°C (-40°F)

Maximum Ambient Temperature:

Suitable for use in 40°C (104°F)

Housing:

Precision die-cast aluminum

IES Classification:

Type VS distributes light in a square symmetrical pattern and is meant for large, commercial parking lot lighting as well as areas where sufficient, evenly distributed light is necessary

Mounting:

Wall mount

Lens:

Diffused Polymethyl Methacrylate (PMMA)

Effective Projected Area:

EPA = 0.61

Finish:

Formulated for high-durability and long lasting color

Green Technology:

Mercury and UV-free. RoHS compliant components.

Sensor Specifications

Multi Level Motion Sensor:

*100 ft. diameter maximum coverage from 40 ft. height.

Other

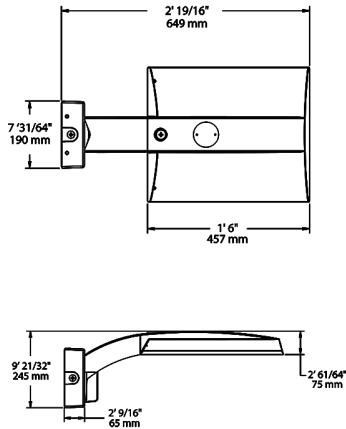
Warranty:

RAB warrants that our LED products will be free from defects in materials and workmanship for a period of five (5) years from the date of delivery to the end user, including coverage of light output, color stability, driver performance and fixture finish. RAB's warranty is subject to all terms and conditions found at

Buy American Act Compliance:

RAB values USA manufacturing! Upon request, RAB may be able to manufacture this product to be compliant with the Buy American Act (BAA). Please contact customer service to request a quote for the product to be made BAA compliant.

Dimensions



Features

- 0-10V Dimming, standard
- 100,000-Hour LED lifespan

Ordering Matrix

| Family | Distribution | Lumen Output | Mounting | CRI/CCT | Finish | Voltage/Driver | Sensor Options | Lightcloud Option |
|---------------------|-----------------------------|-----------------------------|-------------------|------------------|-----------------------------|------------------------------|-----------------------------|-------------------|
| IVA | T5S | 130L | WM | 730 | W | H | /WS4 | ^ |
| T2 = Type II | 45L = 4,500 lumens (38W) | PA = Universal Pole Adapter | 750 = 70CRI 5000K | Z = Bronze | U = 120-277V 0-10V Dimming | Blank = No Options | Blank = No Lightcloud | |
| T3 = Type III | 75L = 7,500 lumens (67W) | WM = Wall mount | 740 = 70CRI 4000K | W = White | H = 347-480V, 0-10V Dimming | /WS = 8ft lens Wattstopper | /LC = Lightcloud Controller | |
| T4 = Type IV | 100L = 10,000 lumens (94W) | SF = Slipfitter | 730 = 70CRI 3000K | G = Roadway Gray | | /WS2 = 20ft lens Wattstopper | | |
| T5S = Type V Square | | | | K = Black | | /WS4 = 40ft lens Wattstopper | | |
| FT = Forward Throw | 130L = 13,000 lumens (117W) | | | | | /7PR = 7-pin receptacle | | |