

# IVGT5- 50L750WU/WS2/E2

RAB | Outdoor



Color: White

Weight: 0.0 lbs

**Project:**

**Type:**

**Prepared By:**

**Date:**

#### Driver Info

Type: Constant Current  
 120V: 0.33A  
 208V: 0.19A  
 240V: 0.17A  
 277V: 0.14A  
 Input Watts: 45W  
 Efficiency: N/A

#### LED Info

Watts: 45W  
 Color Temp: 5000K (Cool)  
 Color Accuracy: 76 CRI  
 L70 Lifespan: 100,000  
 Lumens: 5,730  
 Efficacy: 127 LPW

## Technical Specifications

### Listings

#### UL Listing:

Suitable for wet locations

#### Title 24 Compliant:

An IVEPARK edgelit garage fixture with a WS2 control option can be used to comply with 2016 Title 24 Part 6 Section 130.2 (a,b,c)

#### IESNA LM-79 & IESNA LM-80 Testing:

RAB LED luminaires and LED components have been tested by an independent laboratory in accordance with IESNA LM-79 and LM-80.

### Electrical

#### THD:

13.35% at 120V, 12.88% at 277V

#### Power Factor:

98.8% at 120V, 95.2% at 277V

#### Driver:

Class 2, 50/60Hz, 120-277V, 4kV standard, 10kV optional

#### Dimming Driver:

Driver includes dimming control wiring for 0-10V dimming systems. Requires separate 0-10V DC dimming circuit. Dims as low as 10%.

#### Battery Backup:

Battery backup will operate the LED Lamp for 90 minutes if power fails. Wired for 120V-277V.

### LED Characteristics

#### LEDs:

Long-life, High efficiency, micro-power, surface mount LEDs

#### Lifespan:

Up to 100,000-hour LED lifespan based on IES LM-80 results and TM-21 calculations

#### Color Stability:

LED color temperature is warranted to shift no more than 200K in CCT over a 5 year period

#### Color Uniformity:

RAB's range of CCT (Correlated Color Temperature) follows the guidelines of the American National Standard for Specifications for the Chromaticity of Solid State Lighting (SSL) Products, ANSI C78.377-2017.

### Construction

#### IP Rating:

Ingress Protection rating of IP66 for dust and water

#### Cold Weather Starting:

The minimum starting temperature is -20°C (-4°F)

#### Maximum Ambient Temperature:

Suitable for use in 40°C (104°F)

#### Housing:

Polycarbonate and aluminum housing

### Mounting:

Surface mount standard (accessories available for wall, pole and trunnion mount)

#### Lens:

Diffused Polymethyl Methacrylate (PMMA)

#### Finish:

Formulated for high-durability and long lasting color

#### Green Technology:

Mercury and UV-free. RoHS compliant components.

### Sensor Specifications

#### Multi Level Motion Sensor:

\*40 ft. diameter coverage from 20 ft. height.

### Other

#### Warranty:

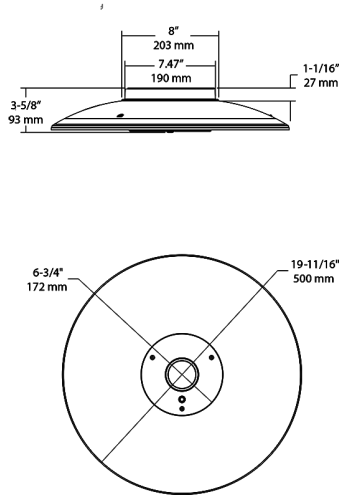
RAB warrants that our LED products will be free from defects in materials and workmanship for a period of five (5) years from the date of delivery to the end user, including coverage of light output, color stability, driver performance and fixture finish. RAB's warranty is subject to all terms and conditions found at

#### Buy American Act Compliance:

RAB values USA manufacturing! Upon request, RAB may be able to manufacture this product to be compliant with the Buy American Act (BAA). Please contact customer service to request a quote for the product to be made BAA compliant.

# IVGT5- 50L750WU/WS2/E2

## Dimensions



## Ordering Matrix

Family	Distribution	Lumen Output	CRI/CCT	Finish	Voltage/Driver	Sensor Options	Lightcloud	Emergency Option
IVG	T5	50L	750	W	U	/WS2	^	/E2
	T5 = Type V Wide	30L = 3,600 lumens (28W)	750 = 70CRI 5000K	Z = Bronze	U = 120-277V 0-10V Dimming	Blank = No Options	Blank = No Lightcloud	Blank = No Options
	T5C = Type V Concentrated					/WS = 8ft lens Wattstopper	/LC = Light Cloud Controller	/E2 = Emergency
	T5U = Type V Wide with Uplight	50L = 5,500 lumens (45W)	740 = 70CRI 4000K	W = White	4 = 480V 0-10V Dimming	/WS2 = 20ft lens Wattstopper		
	T5CU = Type V Concentrated with Uplight	70L = 7,500 lumens (69W)	730 = 70CRI 3000K					