

<b>Project:</b>	<b>Type:</b>
<b>Prepared By:</b>	<b>Date:</b>

Driver Info		LED Info	
Type:	Constant Current	Watts:	17W
120V:	0.15A	Color Temp:	3000K
208V:	N/A	Color Accuracy:	95 CRI
240V:	N/A	L70 Lifespan:	50000
277V:	N/A	Lumens:	1,176
Input Watts:	18W	Efficacy:	66 LPW
Efficiency:	95%		

## Technical Specifications

### Listings

#### UL Listing:

Suitable for damp locations.

#### ENERGY STAR® V2.0:

This product is ENERGY STAR® V2.0 qualified.

#### IESNA LM-79 & LM-80 Testing:

RAB LED luminaires have been tested by an independent laboratory in accordance with IESNA LM-79 and LM-80, and have received the Department of Energy "Lighting Facts" label.

### Electrical

#### Driver:

Constant Current, Class 2, 60 Hz, 120V: 0.15A

#### THD:

17% at 120V

#### Power Factor:

97.8% at 120V

### LED Characteristics

#### LEDs:

Long-life, high-efficiency surface mount LEDs

#### Lifespan:

50,000-hour LED lifespan based on IES LM-80 results and TM-21 calculations.

#### Color Stability:

LED color temperature is warranted to shift no more than 200K in CCT over a 5 year period.

#### Color Uniformity:

RAB's range of CCT (Correlated Color Temperature) follows the guidelines of the American National Standard for Specifications for the Chromaticity of Solid State Lighting (SSL) Products, ANSI C78.377-2011.

### Construction

#### Maximum Ambient Temperature:

Suitable for use in 40°C (104°F) ambient temperatures

#### Housing:

Die-formed steel with injection-molded endcaps

### Lens:

Frosted polycarbonate diffusion lens

### Mounting:

Undercabinet surface

### Green Technology:

Mercury and UV free. RoHS compliant components. Polyester powder coat finish formulated without the use of VOC or toxic heavy metals.

### Finish:

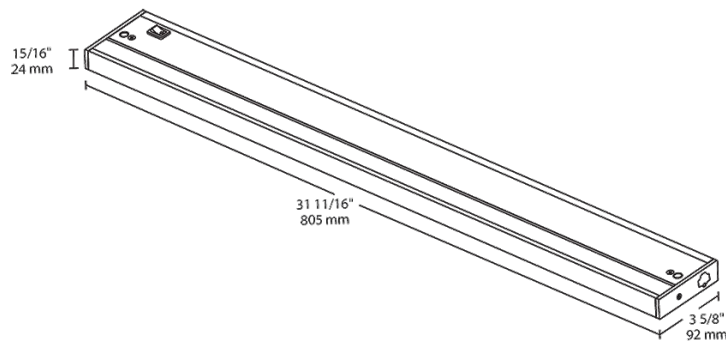
Our environmentally friendly polyester powder coatings are formulated for high-durability and long-lasting color, and contains no VOC or toxic heavy metals.

### Other

### Warranty:

RAB warrants that our LED products with special corrosion resistant powder coat finish will be free from defects in materials and workmanship for a period of five (5) years from the date of delivery to the end user, including coverage of light output, color stability, driver performance and fixture finish in corrosive environments up to C5-M classification.

### Dimensions



### Features

- Simple to connect multiple fixtures
- Designed to provide soft, uniform lighting on work surfaces
- Compatible with common ELV & TRIAC dimmers

## Ordering Matrix

Family	Length	Color Temp	Finish
KNOOK	32	Y	W
	32 = 32" 24 = 24" 16 = 16" 8 = 8"	Y = 3000K (Warm) YY = 2700K (Residential Warm)	Blank = Bronze W = White