



| | |
|---------------------|--------------|
| Project: | Type: |
| Prepared By: | Date: |

| Driver Info | | LED Info | |
|-------------|------------------|----------------|--------------|
| Type | Constant Current | Watts | 160W |
| 120V | 1.50A | Color Temp | 5000K (Cool) |
| 208V | 0.87A | Color Accuracy | 86 CRI |
| 240V | 0.75A | L70 Lifespan | 50,000 Hours |
| 277V | 0.65A | Lumens | 20,996 |
| Input Watts | 158.6W | Efficacy | 132.4 lm/W |

Technical Specifications

Compliance

UL Listed:

Suitable for damp locations

IESNA LM-79 & LM-80 Testing:

RAB LED luminaires and LED components have been tested by an independent laboratory in accordance with IESNA LM-79 and LM-80.

DLC Listed:

This product is on the Design Lights Consortium (DLC) Qualified Products List and is eligible for rebates from DLC Member Utilities. Designed to meet DLC 5.1 requirements.
DLC Product Code: PVWC2J26

Performance

Lifespan:

50,000-Hour LED lifespan based on IES LM-80 results and TM-21 calculations

Tilt Angle:

- 0° - 158.6W; 20,996 lumens
- 15° - 158W; 20,754 lumens
- 27° - 158.4W; 20,977 lumens
- 39° - 156.6W; 20,946 lumens
- 50° - 159.1W; 21,077 lumens

Electrical

Driver:

Constant Current, Class 2, Class P, 120-277V, 50/60 Hz, 120V: 1.50A, 208V: 0.87A, 240V: 0.75A, 277V: 0.65A

Dimming Driver:

Driver includes dimming control wiring for 0-10V dimming systems. Requires separate 0-10V DC dimming circuit. Dims down to 10%.

THD:

6.55% at 120V, 13.3% at 277V

Power Factor:

99.8% at 120V, 94.2% at 277V

Surge Protection:

2.5kV

LED Characteristics

LEDs:

Long-life, high-efficacy, discrete, surface-mount LEDs

Color Consistency:

7-step MacAdam Ellipse binning to achieve consistent fixture-to-fixture color

Color Uniformity:

RAB's range of Correlated Color Temperature follows the guidelines of the American National Standard for Specifications for the Chromaticity of Solid State Lighting (SSL) Products, ANSI C78.377-2017.

Construction

Cold Weather Starting:

The minimum starting temperature is -20°C (-4°F)

Technical Specifications (continued)

Construction

Maximum Ambient Temperature:

Suitable for use in up to 50°C (122°F)

Housing:

Polycarbonate and ABS (PC/ABS)

Mounting:

V hooks and optional pendant mounting

Finish:

Formulated for high durability and long-lasting color

Green Technology:

Mercury and UV free. RoHS-compliant components.

Other

5 Yr Limited Warranty:

The RAB 5-year, limited warranty covers light output, driver performance and paint finish. RAB's warranty is subject to all terms and conditions found at rablighting.com/warranty.

Equivalency:

Equivalent to 250W Metal Halide

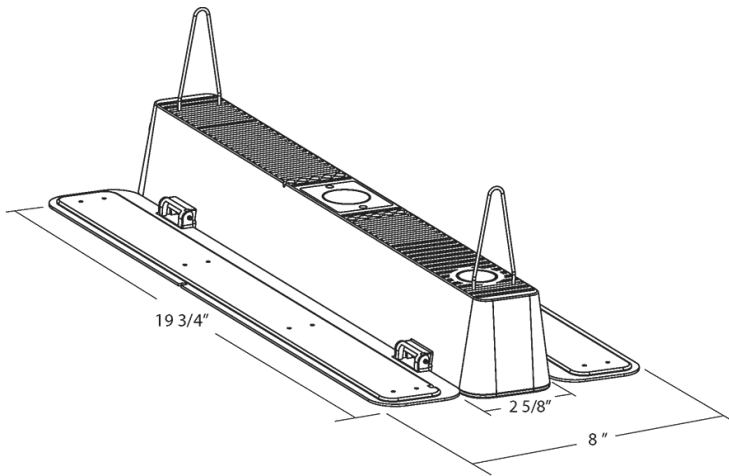
Trade Agreements Act Compliant:

This product is a product of Cambodia and a "designated country" end product that complies with the Trade Agreements Act

Buy American Act Compliance:

RAB values USA manufacturing! Upon request, RAB may be able to manufacture this product to be compliant with the Buy American Act (BAA). Please contact customer service to request a quote for the product to be made BAA compliant.

Dimensions



Features

50,000-Hour LED lifespan

DLC listed

5-Year, Limited Warranty

Ordering Matrix

| Family | Wattage (CCT) |
|--------|--------------------|
| L34 | 180 |
| | 110 = 100W (5000K) |
| | 180 = 160W (5000K) |