



The Phase Controller is plenum-rated for dimming and switching ELV or MLV loads up to 450W. Replace an existing wall dimmer or install in the ceiling for circuit control.

Color: White

Weight: 0.2 lbs

<b>Project:</b>	<b>Type:</b>
<b>Prepared By:</b>	<b>Date:</b>

## Technical Specifications

### Listings

#### UL Listed:

UL1472 Indoor use only

#### DLC Listed:

This product is on the Design Lights Consortium (DLC) Qualified Products List and is eligible for rebates from DLC Member Utilities

### Electrical

#### Installation:

All Lightcloud components should be installed by a licensed electrician in accordance with local codes.

#### Input Voltage:

120 VAC

#### Frequencies:

50/60 Hz

#### Electrical Ratings:

60 mA

#### Load Switching Capacity:

450W LED (reverse phase)  
 450W Incandescent (reverse phase)  
 450W Magnetic Low Voltage (symmetric forward phase)  
 450W Electronic Low Voltage (reserve phase)  
 450W Dimmable CFL (reverse phase)  
*Note: Not recommended for non-dimmable loads.*

### Construction

#### Operating Temperature Range:

0°C to 40°C

#### Storage Temperature Range:

-40°C to 85°C

#### Maximum Relative Humidity:

85%

#### Wire Gauge:

Black (Line - 16AWG)  
 White (Neutral - 16AWG)  
 Red (Load - 16AWG)  
 Green (Earth - 18AWG)

### Wireless Range

#### Line of Sight:

1000 feet

#### Obstructions:

100 feet

### Other

#### Warranty:

10-year full hardware warranty with 100% repair/replacement coverage for all properly installed devices. [See Lightcloud Warranty Terms.](#)

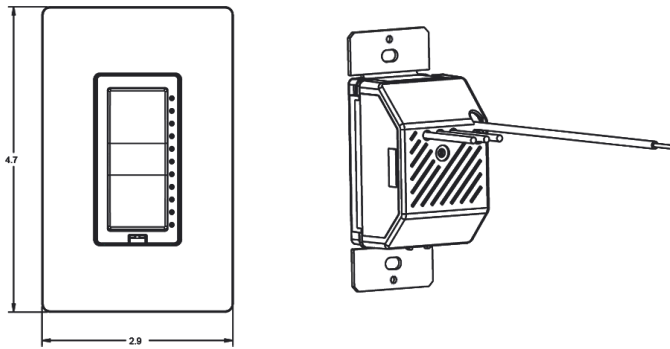
## Technical Specifications (continued)

### Other

#### Buy American Act Compliance:

RAB values USA manufacturing! Upon request, RAB may be able to manufacture this product to be compliant with the Buy American Act (BAA). Please contact customer service to request a quote for the product to be made BAA compliant.

### Dimensions



### Features

- In-wall device for switching, dimming and scene control
- Switches/dims local load (ELV/MLV)
- Dimming features both fade on/off and rapid full-on
- Set the max trim level for a zone or fixture to save energy
- Use together with other Lightcloud Controller or Sensor devices