



The Lightcloud Phase Dimmer is both a Dimmer and Phase Controller (ELV/MLV) in one powerful device. The Dimmer can control its attached load, other Controllers, or a combination of the two.

Color: White

Weight: 0.2 lbs

<b>Project:</b>	<b>Type:</b>
<b>Prepared By:</b>	<b>Date:</b>

## Technical Specifications

### Listings

**UL Listed:**

UL1472 Indoor use only

**DLC Listed:**

This product is on the Design Lights Consortium (DLC) Qualified Products List and is eligible for rebates from DLC Member Utilities

### Electrical

**Installation:**

All Lightcloud components should be installed by a licensed electrician in accordance with local codes.

**Input Voltage:**

120 VAC

**Frequencies:**

50/60 Hz

**Current Draw:**

60 mA

**Load Switching Capacity:**

450W LED (reverse phase)  
 450W Incandescent (reverse phase)  
 450W Magnetic Low Voltage (symmetric forward phase)  
 450W Electronic Low Voltage (reserve phase)  
 450W Dimmable CFL (reverse phase)

### Construction

**Operating Temperature Range:**

0°C to 40°C

**Storage Temperature Range:**

-40°C to 85°C

**Maximum Relative Humidity:**

85%

**Wire Gauge:**

Black (Line - 16AWG)  
 White (Neutral - 16AWG)  
 Red (Load - 16AWG)  
 Green (Earth - 18AWG)

### Wireless Range

**Line of Sight:**

1000 feet

**Obstructions:**

100 feet

### Other

**Warranty:**

10-year full hardware warranty with 100% repair/replacement coverage for all properly installed devices. [See Lightcloud Warranty Terms.](#)

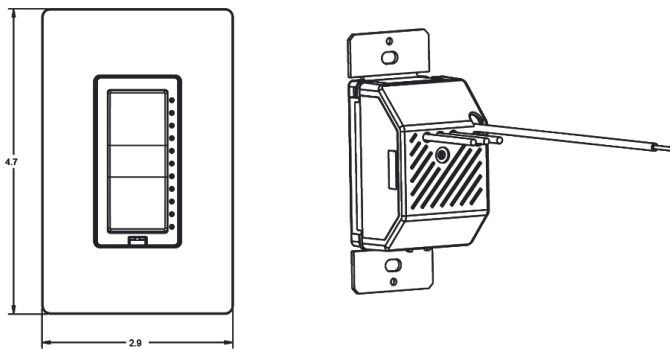
## Technical Specifications (continued)

### Other

#### Buy American Act Compliance:

RAB values USA manufacturing! Upon request, RAB may be able to manufacture this product to be compliant with the Buy American Act (BAA). Please contact customer service to request a quote for the product to be made BAA compliant.

### Dimensions



### Features

- In-wall device for switching, dimming and scene control
- Switches/dims local load (ELV/MLV)
- Available in White, Black, Ivory, Light Almond and Gray
- Dimming features both fade on/off and rapid full-on
- Assign scenes to top and/or bottom buttons
- Set the max trim level for a zone or fixture to save energy
- Use together with other Lightcloud Controller or Sensor devices
- Also available with blank face plate for plenum applications

### Ordering Matrix

Family	Type	Finish
LCDIMMER	/PD	/W

**/PD** = Phase Dimmer    **/W** = White