



Low voltage MR16 flood with die cast aluminum housing, integral glare shield and tempered lens. Sleek good looks with minimal size. Supplied with 36" SPT-1 cord for installation on low voltage systems. MR16 lamp, 50 Watt max. Lamp not supplied.

Color: Black

Weight: 0.8 lbs

Project:	Type:
Prepared By:	Date:

Lamp Info		Ballast Info	
Type:	MR16	Type:	N/A
Watts:	50W	120V:	N/A
Shape/Size:	N/A	208V:	N/A
Base:	N/A	240V:	N/A
ANSI:	N/A	277V:	N/A
Hours:	4,000	Input Watts:	0W
Lamp Lumens:	N/A		
Efficacy:	N/A		

Technical Specifications

Listings

UL Listing:

Suitable for wet locations. Suitable for mounting within 1.2m (4ft) of the ground.

Construction

Swivels:

1/2" NPS threaded arm with serrated locking swivel fits all standard mounting boxes. EZ Grip locknuts color matched to fixture.

Housings:

Precision die cast aluminum.

Electrical

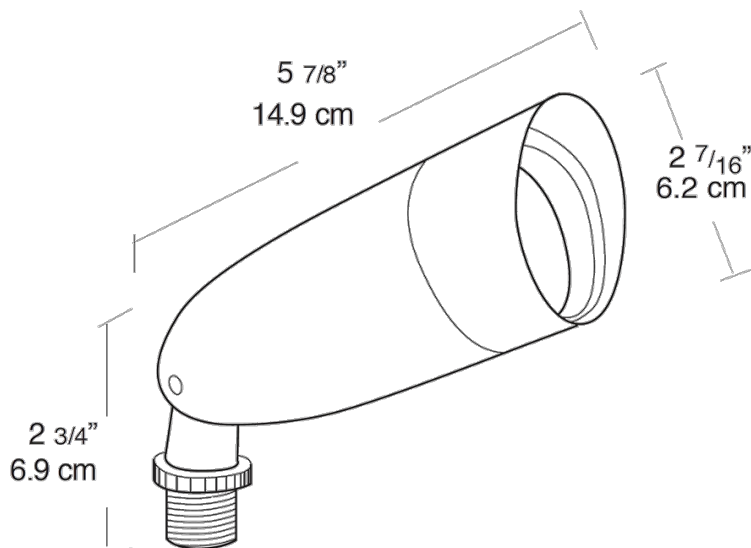
Voltage:

12

Sockets:

Bipin GU5.3 with 36" SPT-1 cord.

Dimensions



Features

- Rugged die cast aluminum housing with polyester powder coat finish
- Deep Glare Shield
- weatherproof lens and gasket
- "O" Ring seal for full weather protection
- No-rust brass & stainless steel external hardware
- Rugged mounting arm has 1/2" threads and pivots 180
- EZ Grip locknuts are color matched to fixture and can be tightened with fingers, pliers or screwdriver