



Low voltage MR16 flood with die cast aluminum housing, integral glare shield and tempered lens. Sleek good looks with minimal size. Supplied with 36" SPT-1 cord for installation on low voltage systems. MR16 lamp, 50 Watt max. Lamp not supplied.

Color: Verde green

Weight: 0.8 lbs

Project:

Type:

Prepared By:

Date:

Lamp Info

Type: MR16
 Watts: 50W
 Shape/Size: N/A
 Base: N/A
 ANSI: N/A
 Hours: 4,000
 Lamp Lumens: N/A
 Efficacy: N/A

Ballast Info

Type: N/A
 120V: N/A
 208V: N/A
 240V: N/A
 277V: N/A
 Input Watts: 0W

Technical Specifications

Listings

UL Listing:

Suitable for wet locations. Suitable for mounting within 1.2m (4ft) of the ground.

Construction

Swivels:

1/2" NPS threaded arm with serrated locking swivel fits all standard mounting boxes. EZ Grip locknuts color matched to fixture.

Housings:

Precision die cast aluminum.

Electrical

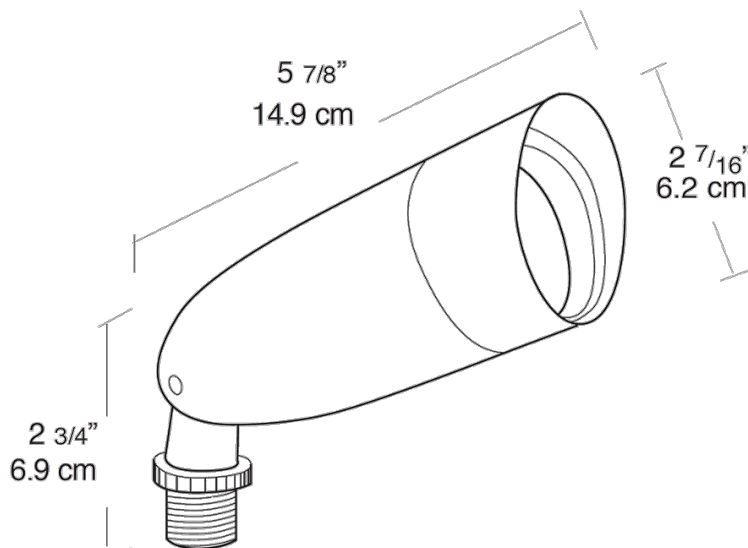
Voltage:

12

Sockets:

Bipin GU5.3 with 36" SPT-1 cord.

Dimensions



Features

- Rugged die cast aluminum housing with polyester powder coat finish
- Deep Glare Shield
- weatherproof lens and gasket
- "O" Ring seal for full weather protection
- No-rust brass & stainless steel external hardware
- Rugged mounting arm has 1/2" threads and pivots 180
- EZ Grip locknuts are color matched to fixture and can be tightened with fingers, pliers or screwdriver