



Premium PAR38 Flood with large, molded high temperature black silicone gasket that totally seals lamp. Die cast aluminum housing. EZ Locknut. Suitable for mounting within 4' of the ground. PAR38 or PAR20, 150 Watt max. Lamp not supplied.

Color: Silver gray

Weight: 0.6 lbs

Project:	Type:
Prepared By:	Date:

Lamp Info		Ballast Info	
Type:	PAR20	Type:	N/A
Watts:	150W	120V:	N/A
Shape/Size:	N/A	208V:	N/A
Base:	N/A	240V:	N/A
ANSI:	N/A	277V:	N/A
Hours:	2,500	Input Watts:	0W
Lamp Lumens:	550		
Efficacy:	N/A		

Technical Specifications

Listings

UL Listing:

Suitable for wet locations.

Electrical

Sockets:

Porcelain with all copper current carrying components and spring loaded center contact.

Construction

Swivels:

Fully adjustable with sure-grip locknuts. 1/2" NPS threaded arm with locking swivel fits all standard mounting covers.

Housings:

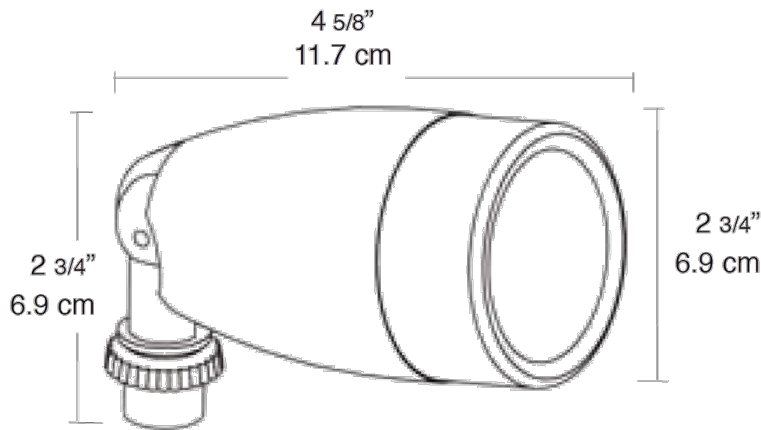
Precision die cast aluminum. Tuffy flood is molded plastic.

Optical

Lamp:

PAR38 or PAR20, 150 watt max. lamp not supplied.

Dimensions



Features

Molded, high temperature silicone gasket

EZ Grip locknut matches fixture finish and can be adjusted with fingers, pliers or a screwdriver

Rugged heavy sand die cast aluminum housing with durable powder coating

Sockets have all copper current carrying components

Fully adjustable swivel with sure-grip locks

Mounting arms have 1/2" threads