



Rugged die cast aluminum 6" diameter housings. Threaded, gasketed clear glass globe for durable weatherproofing and easy relamping. 1" long, 1/2" threaded nipple included for easy mounting. 100 Watt max. Incandescent lamp not supplied. Fluorescent lamp supplied.

Color: Verde green

Weight: 5.0 lbs

<b>Project:</b>	<b>Type:</b>
<b>Prepared By:</b>	<b>Date:</b>

Lamp Info		Ballast Info	
Type:	13W Quad	Type:	NPF 120V
Watts:	13W	120V:	0.3A
Shape/Size:	N/A	208V:	N/A
Base:	N/A	240V:	N/A
ANSI:	N/A	277V:	N/A
Hours:	10,000	Input Watts:	17W
Lamp Lumens:	860	Efficiency:	76%
Efficacy:	51 LPW		

**Technical Specifications**

**Listings**

**UL Listing:**

Suitable for wet locations. Suitable for mounting within 4 feet of the ground.

**Electrical**

**Socket:**

Medium base porcelain with all copper electrical parts and 20" leads, including a ground lead.

**Voltage:**

120 volts AC

**Construction**

**Globes:**

Threaded, gasketed globe protects against weather, garden sprinklers and insects. Clear glass GL 100 globes standard for 4 Tier. Clear glass GL60 globes standard for 3 Tier. GL100 white globes also available for attractive appearance and glare reduction.

**Housing:**

Die cast aluminum housing with powder coat finish.

**Mounting Stem:**

Optional 12" mounting stem with 1/2" threads on both ends available .

**Optical**

**F13:**

Compact Fluorescent 13W.

**Lamps:**

Fluorescent lamp supplied. 13 watt quad tube. NPF 120V ballast.GX23-2 base Quad lamps, 120V.

**Other**

**Patents:**

RAB sensor and fixture.

**Country of Origin:**

Designed by RAB in New Jersey and assembled in the USA by RAB's IBEW Local 3 workers.

**Buy American Act Compliant:**

This product is a COTS item manufactured in the United States, and is compliant with the Buy American Act.

**Recovery Act (ARRA) Compliant:**

This product complies with the 52.225-21 "Required Use of American Iron, Steel, and Manufactured Goods-- Buy American Act-- Construction Materials (October 2010).

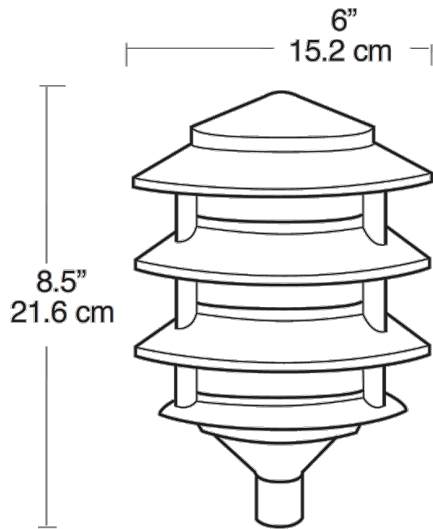
**Trade Agreements Act Compliant:**

This product is a COTS item manufactured in the United States, and is compliant with the Trade Agreements Act.

**GSA Schedule:**

Suitable in accordance with FAR Subpart 25.4.

## Dimensions



## Features

- Rugged die cast aluminum housing with durable powder coating
- Socket with all copper electrical parts and 20" leads
- Quick and secure installation with one corrosionproof screw
- Threaded, gasketed globes for durable weatherproofing and easy relamping
- 12" color matched mounting stem with 1/2" threads available
- Includes easy mounting 1/2" threaded nipple