



Fits decorator wall plates with only 1/2" protrusion. 120 volts. Gangable. Full 180° view covers 1000 sq. ft Works with electronic ballasts. Can be wired in parallel. LED indicator, wallplate included. Can also be used as a ceiling sensor. Must have hot and wires in box.

Color: White

Weight: 0.3 lbs

<b>Project:</b>	<b>Type:</b>
<b>Prepared By:</b>	<b>Date:</b>

**Technical Specifications**

**Listings**

**UL Listing:**

Indoor applications Smart Box & Tuff Dome Wet locations.

**Construction**

**Compatibility:**

Compatible with most electronic ballasts. Not compatible with instant start ballasts. Can be wired in parallel.

**Electrical**

**Maximum Energy Savings:**

Light only when you need it. No ON switch so lights are never left on by mistake.

**Incandescent & Fluorescent Watts Switched:**

1200 watts @ 277 volts.

**Ratings:**

4.3 amps.

**Power Consumption:**

Negligible

**Manual Switch:**

On - Manual / Off - Auto.

**Wiring:**

Hot & common.

**Optical**

**Coverage Area:**

1000sf

**Sensor Characteristics**

**Time Delay:**

8 seconds to 15 minutes.

**Ambient Light Sensing:**

n/a

**Detection:**

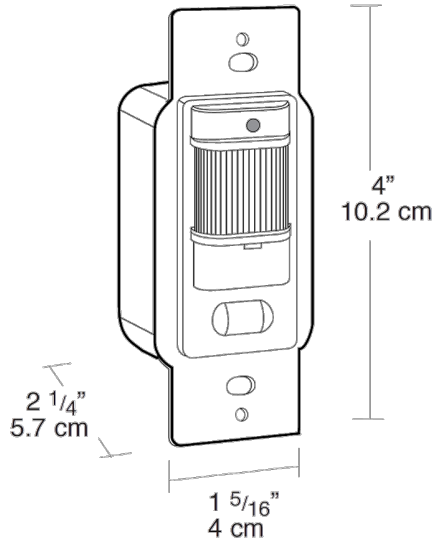
180° view covers 1000 sq. feet.

**Other**

**Adjustments:**

Time

## Dimensions



## Features

- Full 180° view
- LED detection indicator
- Tough, vandal resistant lens
- Fits decorator wall plates
- Control panel cover only removable with wall plate to prevent tampering
- Manual off/auto switch
- Vandal proof sensor for schools, gyms and high abuse areas