



Specification grade area lights available in IES Type II distributions. For use in parking lots, roadways, pathways and general area lighting. Best-in-class 5-G vibration rating. 5-year warranty.

Color: Bronze

Weight: 20.9 lbs

<b>Project:</b>	<b>Type:</b>
<b>Prepared By:</b>	<b>Date:</b>

Driver Info		LED Info	
Type:	Constant Current	Watts:	110W
120V:	0.93A	Color Temp:	3000K
208V:	0.56A	Color Accuracy:	72 CRI
240V:	0.49A	L70 Lifespan:	100000
277V:	0.42A	Lumens:	11,753
Input Watts:	110W	Efficacy:	107 LPW
Efficiency:	N/A		

## Technical Specifications

### Listings

#### UL Listing:

Suitable for wet locations.

#### IESNA LM-79 & IESNA LM-80 Testing:

RAB LED luminaires have been tested by an independent laboratory in accordance with IESNA LM-79 and 80, and have received the Department of Energy "Lighting Facts" label.

#### Dark Sky Approved:

Conforms to the requirements listed by the International Dark-Sky Association for "Dark Sky" approval. The Fixture Seal of Approval provides objective, third-party certification for luminaires that minimize glare, reduce light trespass, and don't pollute the night sky.

### Electrical

#### Driver:

Constant Current, Class 2, 100-277V, 50/60 Hz, 120V: 0.93A, 208V: 0.56A, 240V: 0.49A, 277V: 0.42A

#### THD:

6.7% at 120, 9.1% at 277V

#### Power Factor:

99.3% at 120V, 95.4% at 277V

#### 5-Pin Receptacle:

ANSI C136.41 5-pin receptacle, compatible with wireless control systems

#### Dimming Driver:

Driver includes dimming control wiring for 0-10V dimming systems. Requires separate 0-10V DC dimming circuit. Dims as low as 10%.

#### Surge Protection:

L-N 4kV; L-Earth 6kV

### Optical

#### Lifespan:

100,000-hour LED lifespan based on IES LM-80 results and TM-21 calculations.

### Construction

#### IES Classification:

The Type II distribution is meant for lighting large areas, located by the roadside. Typically found on wide walkways, on ramps, entrance roadways and bike paths.

#### Effective Projected Area:

EPA = 0.8

#### Vibration Rating:

Industry-leading 5G vibration rating per ANSI C136.31.

#### Cold Weather Starting:

Minimum starting temperature is -40° F (-40° C)

#### Ambient Temperature:

Suitable for use in 104° F (40° C) ambient temperatures.

#### Housing:

Precision die-cast aluminum housing.

#### Mounting:

Mounts to RAB square poles. Mounts to all square and round poles if optional Universal Pole Adaptor is used.

#### Lens:

Clear acrylic lens with integrated optics

### IP Rating:

Ingress Protection rating of IP66 for dust and water

### Gaskets:

High temperature silicone gaskets.

### Finish:

Formulated for high-durability and long lasting color.

### Green Technology:

Mercury and UV free. RoHS compliant components. Polyester powder coat finish formulated without the use of VOC or toxic heavy metals.

### For use on LEED Buildings:

IDA Dark Sky Approval means that this fixture can be used to achieve LEED Credits for Light Pollution Reduction.

### LED Characteristics

#### LEDs:

Long-life, high-efficiency surface mount LEDs

#### Color Stability:

LED color temperature is warrantied to shift no more than 200K in CCT over a 5 year period.

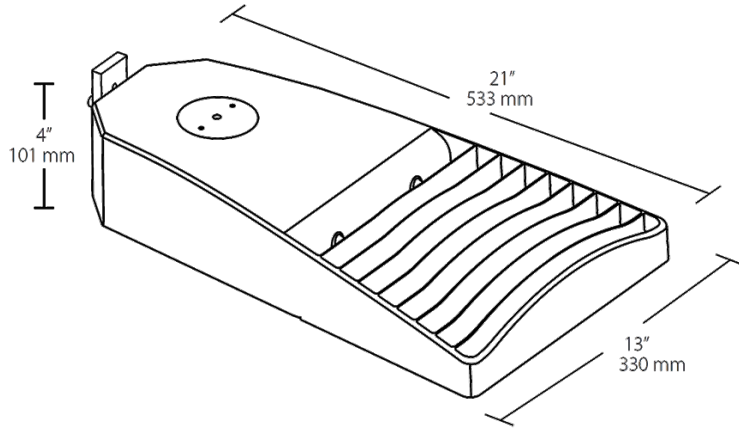
#### Color Uniformity:

RAB's range of CCT (Correlated Color Temperature) follows the guidelines of the American National Standard for Specifications for the Chromaticity of Solid State Lighting (SSL) Products, ANSI C78.377-2015.

**Technical Specifications (continued)**

<p><b>Other</b></p> <p><b>5 Yr Limited Warranty:</b> Fixture operation and paint finish are covered for a period of 5 years.</p> <p><b>Replacement:</b> Replaces up to 250W Metal Halide.</p>	<p><b>Country of Origin:</b> Designed by RAB in New Jersey and assembled in the USA by RAB's IBEW Local 3 workers.</p> <p><b>Buy American Act Compliant:</b> This product is a COTS item manufactured in the United States, and is compliant with the Buy American Act.</p>	<p><b>Recovery Act (ARRA) Compliant:</b> This product complies with the 52.225-21 "Required Use of American Iron, Steel, and Manufactured Goods-- Buy American Act-- Construction Materials (October 2010).</p> <p><b>GSA Schedule:</b> Suitable in accordance with FAR Subpart 25.4.</p>
---	---	---

**Dimensions**



**Features**

- Lightweight design and low EPA minimize pole load
- Best-in-class 5-G vibration rating
- 100,000-hour LED lifespan
- 5-year warranty

**Ordering Matrix**

Family	IES Type	Wattage	Color Temp	Finish	Driver Options	Mounting	Sensor Options	Accessories
LOT	2T	110	Y		/D10		/5PR	
	2T = Type II	160 = 160W 110 = 110W 65 = 65W	Blank = 5000K (Cool) N = 4000K (Neutral) Y = 3000K (Warm)	Blank = Bronze W = White	/D10 = 120-277V, 0-10V Dimming (standard) /480/D10 = 480V, 0-10V Dimming	Blank = Mounts to RAB square poles /UPA = Universal Pole Adaptor	Blank = None /PCT = 120-277V Twistlock PC /PCT4 = 480V Twistlock PC /WS2 = Wattstopper Sensor + 20ft lens, 120-277V /WS4 = Wattstopper Sensor + 40ft lens, 120-277V /5PR = 5-Pin Receptacle, no PCT /7PR = 7-Pin Receptacle, no PCT /BL = Bi-Level Dimming, 120-277V	Blank = None /HS = 2 House-Side-Shields