



Specification grade area lights available in IES Type II distributions. For use in parking lots, roadways, pathways and general area lighting. Best-in-class 5-G vibration rating. 5-year warranty.

Color: White

Weight: 20.9 lbs

<b>Project:</b>	<b>Type:</b>
<b>Prepared By:</b>	<b>Date:</b>

Driver Info		LED Info	
Type:	Constant Current	Watts:	160W
120V:	1.35A	Color Temp:	4000K
208V:	0.83A	Color Accuracy:	72 CRI
240V:	0.72A	L70 Lifespan:	100000
277V:	0.61A	Lumens:	16,861
Input Watts:	157W	Efficacy:	107 LPW
Efficiency:	N/A		

**Technical Specifications**

**Listings**

**UL Listing:**

Suitable for wet locations.

**IESNA LM-79 & IESNA LM-80 Testing:**

RAB LED luminaires have been tested by an independent laboratory in accordance with IESNA LM-79 and 80, and have received the Department of Energy "Lighting Facts" label.

**Electrical**

**Driver:**

Constant Current, Class 2, 100-277V, 50/60 Hz, 120V: 1.35A, 208V: 0.83A, 240V: 0.72A, 277V: 0.61A

**THD:**

7.8% at 120, 14.3% at 277V

**Power Factor:**

99.5% at 120V, 93.5% at 277V

**Surge Protection:**

L-N 4kV; L-L, L-GND 6kV

**Dimming Driver:**

Driver includes dimming control wiring for 0-10V dimming systems. Requires separate 0-10V DC dimming circuit. Dims as low as 10%.

**Optical**

**Lifespan:**

100,000-hour LED lifespan based on IES LM-80 results and TM-21 calculations.

**Full Cutoff:**

Full cutoff optics conform with dark sky requirements.

**Construction**

**IES Classification:**

The Type II distribution is meant for lighting large areas, located by the roadside. Typically found on wide walkways, on ramps, entrance roadways and bike paths.

**Effective Projected Area:**

EPA = 0.8

**Vibration Rating:**

Industry-leading 5G vibration rating per ANSI C136.31.

**Cold Weather Starting:**

Minimum starting temperature is -40° F (-40° C)

**Ambient Temperature:**

Suitable for use in 104° F (40° C) ambient temperatures.

**Housing:**

Precision die-cast aluminum housing.

**Mounting:**

Mounts to RAB square poles. Mounts to all square and round poles if optional Universal Pole Adaptor is used.

**Lens:**

Clear acrylic lens with integrated optics

**IP Rating:**

Ingress Protection rating of IP66 for dust and water

**Gaskets:**

High temperature silicone gaskets.

**Finish:**

Formulated for high-durability and long lasting color.

**Green Technology:**

Mercury and UV free. RoHS compliant components. Polyester powder coat finish formulated without the use of VOC or toxic heavy metals.

**LED Characteristics**

**LEDs:**

Long-life, high-efficiency surface mount LEDs

**Color Stability:**

LED color temperature is warranted to shift no more than 200K in CCT over a 5 year period.

**Color Uniformity:**

RAB's range of CCT (Correlated Color Temperature) follows the guidelines of the American National Standard for Specifications for the Chromaticity of Solid State Lighting (SSL) Products, ANSI C78.377-2015.

**Other**

**5 Yr Limited Warranty:**

Fixture operation and paint finish are covered for a period of 5 years.

**Bi-Level:**

Allows 25%, 50% or 75% output modes.

**Technical Specifications (continued)**

**Other**

**Replacement:**

Replaces up to 400W Metal Halide.

**Country of Origin:**

Designed by RAB in New Jersey and assembled in the USA by RAB's IBEW Local 3 workers.

**Buy American Act Compliant:**

This product is a COTS item manufactured in the United States, and is compliant with the Buy American Act.

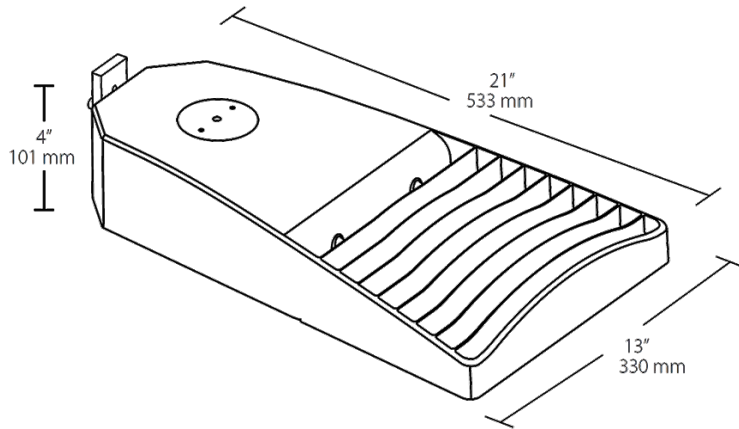
**Recovery Act (ARRA) Compliant:**

This product complies with the 52.225-21 "Required Use of American Iron, Steel, and Manufactured Goods-- Buy American Act-- Construction Materials (October 2010).

**GSA Schedule:**

Suitable in accordance with FAR Subpart 25.4.

**Dimensions**



**Features**

- Lightweight design and low EPA minimize pole load
- Best-in-class 5-G vibration rating
- 100,000-hour LED lifespan
- 5-year warranty

**Ordering Matrix**

Family	IES Type	Wattage	Color Temp	Finish	Driver Options	Mounting	Sensor Options	Accessories
LOT	2T	160	N	W	/D10		/BL	
	2T = Type II	160 = 160W 110 = 110W 65 = 65W	Blank = 5000K (Cool) N = 4000K (Neutral) Y = 3000K (Warm)	Blank = Bronze W = White	/D10 = 120-277V, 0-10V Dimming (standard) /480/D10 = 480V, 0-10V Dimming	Blank = Mounts to RAB square poles /UPA = Universal Pole Adaptor	Blank = None /PCT = 120-277V Twistlock PC /PCT4 = 480V Twistlock PC /WS2 = Wattstopper Sensor + 20ft lens, 120-277V /WS4 = Wattstopper Sensor + 40ft lens, 120-277V /5PR = 5-Pin Receptacle, no PCT /7PR = 7-Pin Receptacle, no PCT /BL = Bi-Level Dimming, 120-277V	Blank = None /HS = 2 House-Side-Shields