



Specification grade area lights available in IES Type V distributions. Wide and uniform 360 degree pattern ideal for large outdoor areas such as parking lots, corporate parks, and retail settings. Best-in-class 5-G vibration rating. 5-year warranty.

Color: White

Weight: 22.7 lbs

<b>Project:</b>	<b>Type:</b>
<b>Prepared By:</b>	<b>Date:</b>

Driver Info		LED Info	
Type:	Constant Current	Watts:	65W
120V:	0.55A	Color Temp:	5000K
208V:	0.33A	Color Accuracy:	72 CRI
240V:	0.29A	L70 Lifespan:	100000
277V:	0.25A	Lumens:	7,340
Input Watts:	65W	Efficacy:	111 LPW
Efficiency:	99%		

## Technical Specifications

### Listings

#### UL Listing:

Suitable for wet locations.

#### IESNA LM-79 & IESNA LM-80 Testing:

RAB LED luminaires have been tested by an independent laboratory in accordance with IESNA LM-79 and 80, and have received the Department of Energy "Lighting Facts" label.

### Electrical

#### Driver:

Constant Current, Class 2, 100-277V, 50/60 Hz, 120V: 0.55A, 208V: 0.33A, 240V: 0.29A, 277V: 0.25A

#### THD:

7.2% at 120, 10.6% at 277V

#### Power Factor:

99.6% at 120V, 95.4% at 277V

#### Dimming Driver:

Driver includes dimming control wiring for 0-10V dimming systems. Requires separate 0-10V DC dimming circuit. Dims as low as 10%.

#### Surge Protection:

L-N 4kV; L-L, L-GND 6kV

### Optical

#### Lifespan:

100,000-hour LED lifespan based on IES LM-80 results and TM-21 calculations.

#### Full Cutoff:

Full cutoff optics conform with dark sky requirements.

### Construction

#### IES Classification:

The Type V distribution produces light in a wide and uniform 360° pattern that is perfect for large outdoor areas such as parking lots, corporate parks and retail settings.

#### Effective Projected Area:

EPA = 0.8

#### Vibration Rating:

Industry-leading 5G vibration rating per ANSI C136.31.

#### Cold Weather Starting:

Minimum starting temperature is -40° F (-40° C)

#### Ambient Temperature:

Suitable for use in 104° F (40° C) ambient temperatures.

#### Housing:

Precision die-cast aluminum housing.

#### Mounting:

Mounts to all square and round poles.

#### Lens:

Clear acrylic lens with integrated optics

#### IP Rating:

Ingress Protection rating of IP66 for dust and water

#### Gaskets:

High temperature silicone gaskets.

#### Finish:

Formulated for high-durability and long lasting color.

#### Green Technology:

Mercury and UV free. RoHS compliant components. Polyester powder coat finish formulated without the use of VOC or toxic heavy metals.

### LED Characteristics

#### LEDs:

Long-life, high-efficiency surface mount LEDs

#### Color Stability:

LED color temperature is warranted to shift no more than 200K in CCT over a 5 year period.

#### Color Uniformity:

RAB's range of CCT (Correlated Color Temperature) follows the guidelines of the American National Standard for Specifications for the Chromaticity of Solid State Lighting (SSL) Products, ANSI C78.377-2015.

### Other

#### 5 Yr Limited Warranty:

Fixture operation and paint finish are covered for a period of 5 years.

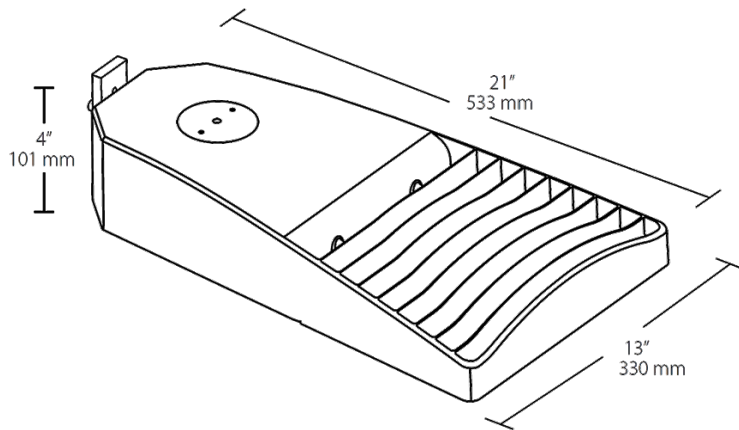
#### Replacement:

Replaces 150W Metal Halide.

## Technical Specifications (continued)

<p><b>Other</b></p> <hr/> <p><b>Country of Origin:</b> Designed by RAB in New Jersey and assembled in the USA by RAB's IBEW Local 3 workers.</p> <p><b>Buy American Act Compliant:</b> This product is a COTS item manufactured in the United States, and is compliant with the Buy American Act.</p> <p><b>Recovery Act (ARRA) Compliant:</b> This product complies with the 52.225-21 "Required Use of American Iron, Steel, and Manufactured Goods-- Buy American Act-- Construction Materials (October 2010).</p> <p><b>GSA Schedule:</b> Suitable in accordance with FAR Subpart 25.4.</p> <p><b>Sensor Specifications</b></p> <hr/> <p><b>Operating Voltage:</b> 120V or 277V</p> <p><b>Power Consumption:</b> 1W</p> <p><b>0-10V Sinking Current:</b> 50mA</p>	<p><b>Adjustable High and Low Modes:</b> High: 0-10V; Low: off, 0-9.8V</p> <p><b>Time Delay:</b> 30 seconds, 1-30 minutes</p> <p><b>Adjustable Cut Off Delay:</b> Time in which the fixture will remain on low mode with no motion before turning off and waiting for new motion to turn on: None, 1 -60 min., 1 -5 hrs.</p> <p><b>Adjustable Sensitivity:</b> None, low, medium, maximum</p> <p><b>Adjustable Setpoint:</b> None, 1 to 250 fc, auto</p> <p><b>Adjustable Ramp Up and Fade Down Times:</b> 1 to 60 sec.</p> <p><b>Operating Temperature:</b> -40°F to 167°F (-40°C to +75°C)</p>	<p><b>Operating Humidity:</b> 20% to 90% noncondensing</p> <p><b>Relay Life Rating:</b> 200,000 cycles (120/277VAC), 50,000 cycles (230VAC)</p> <p><b>IP Rating:</b> Ingress Protection rating of IP66 for dust and water</p> <p><b>UL Listing:</b> Suitable for Wet Locations as factory installed.</p> <p><b>Handheld Wireless Configuration Tool:</b> Adjust settings using handheld wireless configuration tool. Only available with 0-10V dimming driver options.</p> <p><b>Multi Level Motion Sensor:</b> 40 ft. diameter coverage from 20 ft. height.</p>
---	--	--

## Dimensions



## Features

- Lightweight design and low EPA minimize pole load
- Best-in-class 5-G vibration rating
- 100,000-hour LED lifespan
- 5-year warranty

## Ordering Matrix

Family	IES Type	Wattage	Color Temp	Finish	Driver Options	Mounting	Sensor Options
LOT	5T	65		W	/D10	/UPA	/WS2
	5T = Type V	160 = 160W 110 = 110W 65 = 65W	Blank = 5000K (Cool) N = 4000K (Neutral) Y = 3000K (Warm)	Blank = Bronze W = White	/D10 = 120-277V, 0-10V Dimming (standard) /480/D10 = 480V, 0-10V Dimming	Blank = Mounts to RAB square poles /UPA = Universal Pole Adaptor	Blank = None /PCT = 120-277V Twistlock PC /PCT4 = 480V Twistlock PC /WS2 = Wattstopper Sensor + 20ft lens, 120-277V /WS4 = Wattstopper Sensor + 40ft lens, 120-277V /5PR = 5-Pin Receptacle, no PCT /7PR = 7-Pin Receptacle, no PCT /BL = Bi-Level Dimming, 120-277V