



Specification grade area lights available in IES Type V distributions. Wide and uniform 360 degree pattern ideal for large outdoor areas such as parking lots, corporate parks, and retail settings. Best-in-class 5-G vibration rating. 5-year warranty.

Color: White

Weight: 20.9 lbs

|                     |              |
|---------------------|--------------|
| <b>Project:</b>     | <b>Type:</b> |
| <b>Prepared By:</b> | <b>Date:</b> |

| Driver Info  |                  | LED Info        |         |
|--------------|------------------|-----------------|---------|
| Type:        | Constant Current | Watts:          | 65W     |
| 120V:        | 0.55A            | Color Temp:     | 3000K   |
| 208V:        | 0.33A            | Color Accuracy: | 71 CRI  |
| 240V:        | 0.29A            | L70 Lifespan:   | 100000  |
| 277V:        | 0.25A            | Lumens:         | 6,789   |
| Input Watts: | 66W              | Efficacy:       | 104 LPW |
| Efficiency:  | 99%              |                 |         |

## Technical Specifications

### Listings

#### UL Listing:

Suitable for wet locations.

#### IESNA LM-79 & IESNA LM-80 Testing:

RAB LED luminaires have been tested by an independent laboratory in accordance with IESNA LM-79 and 80, and have received the Department of Energy "Lighting Facts" label.

#### Dark Sky Approved:

Conforms to the requirements listed by the International Dark-Sky Association for "Dark Sky" approval. The Fixture Seal of Approval provides objective, third-party certification for luminaires that minimize glare, reduce light trespass, and don't pollute the night sky.

### Electrical

#### Driver:

Constant Current, Class 2, 100-277V, 50/60 Hz, 120V: 0.55A, 208V: 0.33A, 240V: 0.29A, 277V: 0.25A

#### THD:

7.2% at 120, 10.6% at 277V

#### Power Factor:

99.6% at 120V, 95.4% at 277V

#### Dimming Driver:

Driver includes dimming control wiring for 0-10V dimming systems. Requires separate 0-10V DC dimming circuit. Dims as low as 10%.

#### Surge Protection:

L-N 4kV; L-L, L-GND 6kV

### Optical

#### Lifespan:

100,000-hour LED lifespan based on IES LM-80 results and TM-21 calculations.

### Construction

#### IES Classification:

The Type V distribution produces light in a wide and uniform 360° pattern that is perfect for large outdoor areas such as parking lots, corporate parks and retail settings.

#### Effective Projected Area:

EPA = 0.8

#### Vibration Rating:

Industry-leading 5G vibration rating per ANSI C136.31.

#### Cold Weather Starting:

Minimum starting temperature is -40° F (-40° C)

#### Ambient Temperature:

Suitable for use in 104° F (40° C) ambient temperatures.

#### Housing:

Precision die-cast aluminum housing.

#### Mounting:

Mounts to RAB square poles. Mounts to all square and round poles if optional Universal Pole Adaptor is used.

#### Lens:

Clear acrylic lens with integrated optics

#### IP Rating:

Ingress Protection rating of IP66 for dust and water

#### Gaskets:

High temperature silicone gaskets.

#### Finish:

Formulated for high-durability and long lasting color.

#### Green Technology:

Mercury and UV free. RoHS compliant components. Polyester powder coat finish formulated without the use of VOC or toxic heavy metals.

#### For use on LEED Buildings:

IDA Dark Sky Approval means that this fixture can be used to achieve LEED Credits for Light Pollution Reduction.

### LED Characteristics

#### LEDs:

Long-life, high-efficiency surface mount LEDs

#### Color Stability:

LED color temperature is warrantied to shift no more than 200K in CCT over a 5 year period.

#### Color Uniformity:

RAB's range of CCT (Correlated Color Temperature) follows the guidelines of the American National Standard for Specifications for the Chromaticity of Solid State Lighting (SSL) Products, ANSI C78.377-2015.

### Other

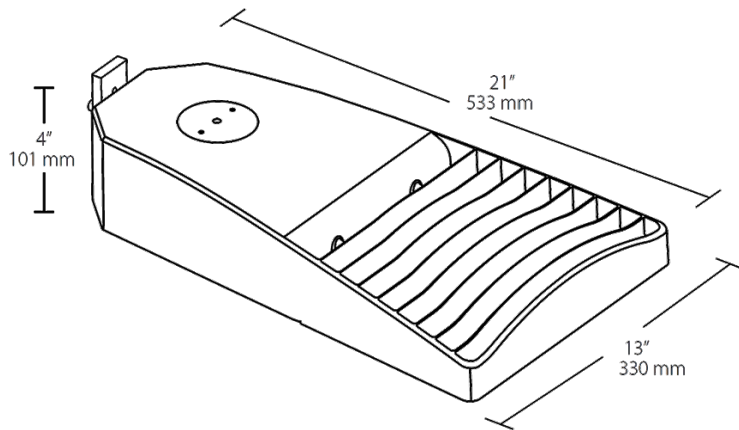
#### 5 Yr Limited Warranty:

Fixture operation and paint finish are covered for a period of 5 years.

## Technical Specifications (continued)

|  |   |   |
|--|---|---|
| <p><b>Other</b></p> <hr/> <p><b>Replacement:</b><br/>Replaces 150W Metal Halide.</p> <p><b>Country of Origin:</b><br/>Designed by RAB in New Jersey and assembled in the USA by RAB's IBEW Local 3 workers.</p> <p><b>Buy American Act Compliant:</b><br/>This product is a COTS item manufactured in the United States, and is compliant with the Buy American Act.</p> <p><b>Recovery Act (ARRA) Compliant:</b><br/>This product complies with the 52.225-21 "Required Use of American Iron, Steel, and Manufactured Goods-- Buy American Act-- Construction Materials (October 2010).</p> <p><b>GSA Schedule:</b><br/>Suitable in accordance with FAR Subpart 25.4.</p> <hr/> <p><b>Sensor Specifications</b></p> <hr/> <p><b>Operating Voltage:</b><br/>120V or 277V</p> <p><b>Power Consumption:</b><br/>1W</p> | <p><b>0-10V Sinking Current:</b><br/>50mA</p> <p><b>Adjustable High and Low Modes:</b><br/>High: 0-10V; Low: off, 0-9.8V</p> <p><b>Time Delay:</b><br/>30 seconds, 1-30 minutes</p> <p><b>Adjustable Cut Off Delay:</b><br/>Time in which the fixture will remain on low mode with no motion before turning off and waiting for new motion to turn on: None, 1 -60 min., 1 -5 hrs.</p> <p><b>Adjustable Sensitivity:</b><br/>None, low, medium, maximum</p> <p><b>Adjustable Setpoint:</b><br/>None, 1 to 250 fc, auto</p> <p><b>Adjustable Ramp Up and Fade Down Times:</b><br/>1 to 60 sec.</p> | <p><b>Operating Temperature:</b><br/>-40°F to 167°F (-40°C to +75°C)</p> <p><b>Operating Humidity:</b><br/>20% to 90% noncondensing</p> <p><b>Relay Life Rating:</b><br/>200,000 cycles (120/277VAC), 50,000 cycles (230VAC)</p> <p><b>IP Rating:</b><br/>Ingress Protection rating of IP66 for dust and water</p> <p><b>UL Listing:</b><br/>Suitable for Wet Locations as factory installed.</p> <p><b>Handheld Wireless Configuration Tool:</b><br/>Adjust settings using handheld wireless configuration tool. Only available with 0-10V dimming driver options.</p> <p><b>Multi Level Motion Sensor:</b><br/>60 ft. diameter coverage from 40 ft. height.</p> |
|--|---|---|

## Dimensions



## Features

- Lightweight design and low EPA minimize pole load
- Best-in-class 5-G vibration rating
- 100,000-hour LED lifespan
- 5-year warranty

## Ordering Matrix

| Family | IES Type    | Wattage                              | Color Temp  | Finish                      | Driver Options  | Mounting  | Sensor Options  |
|--------|-------------|--------------------------------------|---|-----------------------------|---|---|---|
| LOT    | 5T          | 65                                   | Y   | W                           | /D10  |   | /WS4  |
|        | 5T = Type V | 160 = 160W<br>110 = 110W<br>65 = 65W | Blank = 5000K (Cool)<br>N = 4000K (Neutral)<br>Y = 3000K (Warm) | Blank = Bronze<br>W = White | /D10 = 120-277V, 0-10V Dimming (standard)<br>/480/D10 = 480V, 0-10V Dimming | Blank = Mounts to RAB square poles<br>/UPA = Universal Pole Adaptor | Blank = None<br>/PCT = 120-277V Twistlock PC<br>/PCT4 = 480V Twistlock PC<br>/WS2 = Wattstopper Sensor + 20ft lens, 120-277V<br>/WS4 = Wattstopper Sensor + 40ft lens, 120-277V<br>/5PR = 5-Pin Receptacle, no PCT<br>/7PR = 7-Pin Receptacle, no PCT<br>/BL = Bi-Level Dimming, 120-277V |