



Luminator sensor with 110° view, manual override, 300 Watt switching capacity and auto test logic.

Color: White

Weight: 0.7 lbs

<b>Project:</b>	<b>Type:</b>
<b>Prepared By:</b>	<b>Date:</b>

## Technical Specifications

### Listings

#### UL Listing:

Suitable for wet locations.

### Electrical

#### Voltage:

120 volts AC 60 Hz.

#### Power Consumption:

1W

#### Photo Control:

Deactivates lights during daylight.

#### Wall Switch Manual Override:

Two flip logic prevents activation by momentary power outages. Override resets to auto after 6 hours or at dawn. No extra wiring needed.

#### Surge Protection:

Withstands up to 3000 volts.

#### Switching Capacity:

300 watts incandescent @ 120 volts, 2.5 amps.

#### Sensor Characteristics

##### Time Adjustment:

8 seconds to 10 minutes.

##### Auto Test Logic:

5 minutes of test time when power is turned on, Rests to auto mode without further adjustment.

##### Sensor Housing:

Made of tough, corrosion resistant polycarbonate.

#### Detection:

110° view.

#### Other

##### Detector Sensitivity:

Adjustable from 100% to 50%.

##### Warranty:

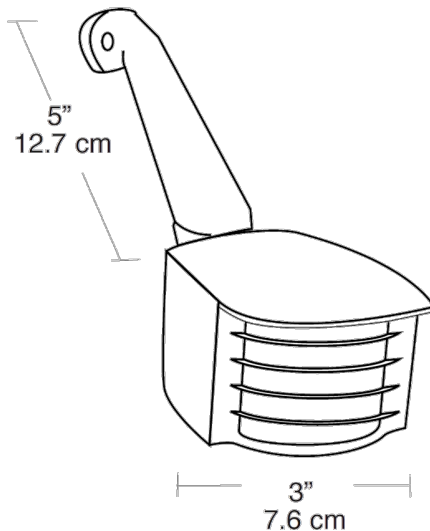
3 year sensor warranty.

#### Construction

##### Floodlights:

Made of tough, corrosion-resistant polycarbonate. Accepts PAR-38 lamps, medium base, 150 watts max. Lamps not included.

## Dimensions



## Features

- 300 Watt switching capacity
- Manual override
- Fully adjustable positioning
- 110° double look down lens
- Tough, vandal resistant lens and grill
- LS300 fits 1/2" standard threaded cover plates
- 3 year warranty