



Accessorize your LFLED with a NEMA Type: 3H x 3V or 3H x 2V spot lens.

Color: Bronze

Weight: 0.3 lbs

Project:	Type:
Prepared By:	Date:

Driver Info		LED Info	
Type:	Constant Current	Watts:	0W
120V:	N/A	Color Temp:	N/A
208V:	N/A	Color Accuracy:	N/A
240V:	N/A	L70 Lifespan:	N/A
277V:	N/A	Lumens:	N/A
Input Watts:	0W	Efficacy:	N/A
Efficiency:	N/A		

Technical Specifications

Listings

UL listing:

Suitable for wet locations. Suitable for ground mounting.

Construction

Lens:

Microprismatic diffusion lens for smooth and even light distribution.

Housing:

Precision die-cast aluminum housing

Finish:

Our environmentally friendly polyester powder coatings are formulated for high-durability and long-lasting color, and contains no VOC or toxic heavy metals.

Other

Compatibility:

Compatible with and

Equivalency:

The LFLLED8 is equivalent in delivered lumens to a 50W MR16.

Buy American Act Compliant:

This product is a COTS item manufactured in the United States, and is compliant with the Buy American Act.

Recovery Act (ARRA) Compliant:

This product complies with the 52.225-21 "Required Use of American Iron, Steel, and Manufactured Goods-- Buy American Act-- Construction Materials (October 2010).

Trade Agreements Act Compliant:

This product is a COTS item manufactured in the United States, and is compliant with the Trade Agreements Act.

GSA Schedule:

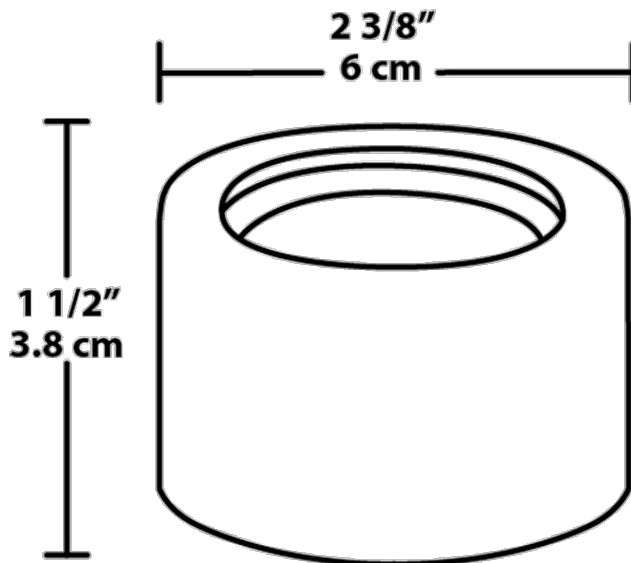
Suitable in accordance with FAR Subpart 25.4.

Optical

LSLFLED with NEMA Type:

Spot lens has a NEMA Type 3H x 3V.

Dimensions



Features

- Microprismatic diffusion lens for smooth and even light distribution
- Precision die-cast aluminum housing
- 5-Year warranty

Ordering Matrix

Family	Watts	Finish
LSLFLED		
	Blank = 5W 8 = 8W	A = Bronze W = White B = Black VG = Verde Green BR = Brass