



Accessorize your LFLED with a NEMA Type: 3H x 3V or 3H x 2V spot lens.

Color: Black

Weight: 0.3 lbs

<b>Project:</b>	<b>Type:</b>
<b>Prepared By:</b>	<b>Date:</b>

Driver Info		LED Info	
Type:	Constant Current	Watts:	0W
120V:	N/A	Color Temp:	N/A
208V:	N/A	Color Accuracy:	N/A
240V:	N/A	L70 Lifespan:	N/A
277V:	N/A	Lumens:	N/A
Input Watts:	0W	Efficacy:	N/A
Efficiency:	N/A		

**Technical Specifications**

**Listings**

**UL listing:**

Suitable for wet locations. Suitable for ground mounting.

**Optical**

**LSLFLED with NEMA Type:**

Spot lens has a NEMA Type 3H x 3V.

**Construction**

**Lens:**

Microprismatic diffusion lens for smooth and even light distribution.

**Housing:**

Precision die-cast aluminum housing

**Finish:**

Our environmentally friendly polyester powder coatings are formulated for high-durability and long-lasting color, and contains no VOC or toxic heavy metals.

**Other**

**Compatibility:**

Compatible with and

**Equivalency:**

The LFLLED8 is equivalent in delivered lumens to a 50W MR16.

**Buy American Act Compliant:**

This product is a COTS item manufactured in the United States, and is compliant with the Buy American Act.

**Recovery Act (ARRA) Compliant:**

This product complies with the 52.225-21 "Required Use of American Iron, Steel, and Manufactured Goods-- Buy American Act-- Construction Materials (October 2010).

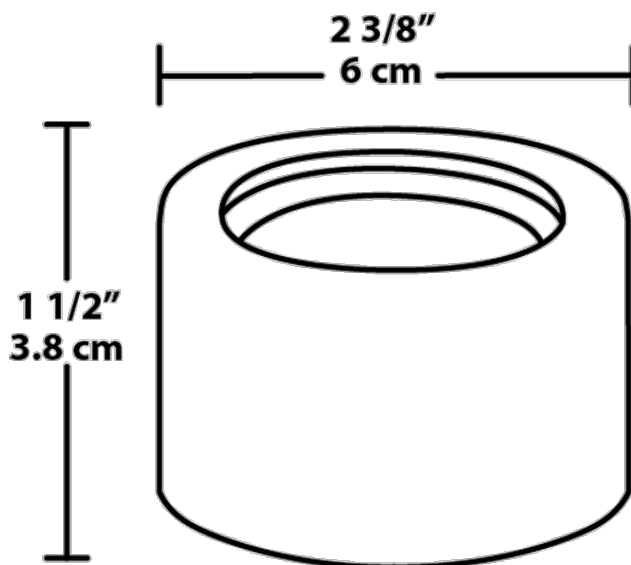
**Trade Agreements Act Compliant:**

This product is a COTS item manufactured in the United States, and is compliant with the Trade Agreements Act.

**GSA Schedule:**

Suitable in accordance with FAR Subpart 25.4.

**Dimensions**



**Features**

- Microprismatic diffusion lens for smooth and even light distribution
- Precision die-cast aluminum housing
- 5-Year warranty

## Ordering Matrix

Family	Watts	Finish
LSLFLED		
	<b>Blank</b> = 5W <b>8</b> = 8W	<b>A</b> = Bronze <b>W</b> = White <b>B</b> = Black <b>VG</b> = Verde Green <b>BR</b> = Brass