



Project:	Type:
Prepared By:	Date:

Technical Specifications

Construction

Finish:

Weather resistant polyester powder, bronze.

Bullhorns:

1 Tenon for slip fitters. Curved bracket. Bullhorns fit 2 3/8" (6cm) O.D. tenons and accommodate 2 3/8" (6cm) slip fitters. Steel tubing .150" and .200" thick welded with (4) 3/8" bolts for securing to pole.

Slipfitters & Wall Brackets:

3/16" thick steel with 1/2" nuts and bolts.

EPA Maximum Capacity:

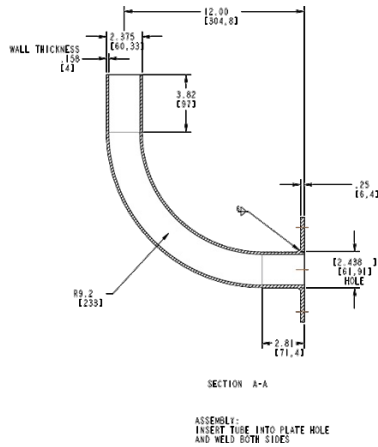
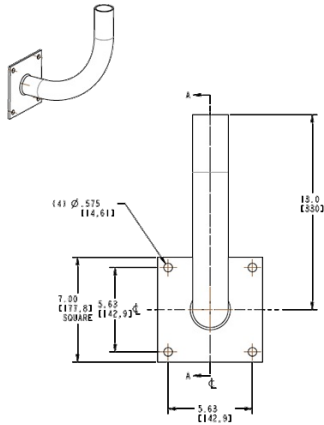
4.0. per arm.

Other

Maximum Weight:

90 lbs.

Dimensions



Features

- Easy, secure floodlight mounting
- Double Reinforced weld joints