

# MMCAP2VG



Die cast aluminum caps for replacement or making Do-It-Yourself Mighty Posts. MMCAP2 fits standard 2" pipe (2 3/8" outer diameter), MMCAP3 fits standard 2.5" pipe (2 7/8" outer diameter). Has a bare copper ground wire. Cut the pipe yourself and save!

Color: Verde green

Weight: 0.4 lbs

<b>Project:</b>	<b>Type:</b>
<b>Prepared By:</b>	<b>Date:</b>

## Technical Specifications

### Listings

#### UL Listing:

Suitable for wet locations. Fixtures with ground wire must be used.

### Construction

#### Post Materials:

UL Schedule 40 PVC pipe.

#### Set Screw:

Locks cap to post and prevents rotation.

#### Fits Pipe:

2".

#### Pipe O.D.:

2 3/8.

#### Material:

Die cast aluminum.

### Other

#### Country of Origin:

Designed by RAB in New Jersey and assembled in Taiwan.

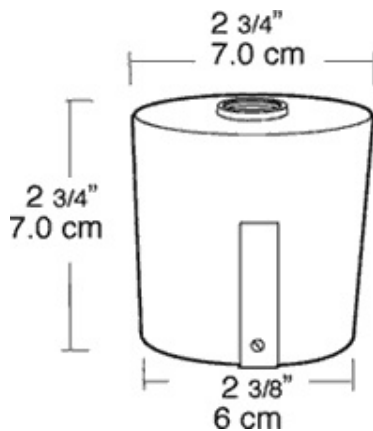
#### Trade Agreements Act Compliant:

This product is a product of Taiwan and a "designated country" end product that complies with the Trade Agreements Act.

#### GSA Schedule:

Suitable in accordance with FAR Subpart 25.4.

## Dimensions



## Features

Set screw locks cap to post

1/2" threaded hole fits standard floodlights & lawn lights

Internal seal provides weatherproof fit

Can be used with Post Adapter an option that lets you add outlets and sensors