

# MMCAP3W

product

Die cast aluminum caps for replacement or making Do-It-Yourself Mighty Posts. MMCAP2 fits standard 2" pipe (2 3/8" outer diameter), MMCAP3 fits standard 2.5" pipe (2 7/8" outer diameter). Has a bare copper ground wire. Cut the pipe yourself and save!

Color: White

Weight: 0.6 lbs

Project:

Type:

Prepared By:

Date:

## Technical Specifications

### Listings

#### UL Listing:

Suitable for wet locations. Fixtures with ground wire must be used.

#### Construction

#### Post Materials:

UL Schedule 40 PVC pipe.

#### Set Screw:

Locks cap to post and prevents rotation.

#### Fits Pipe:

2.5".

#### Pipe O.D.:

2 7/8".

#### Material:

ABS.

### Other

#### Country of Origin:

Designed by RAB in New Jersey and assembled in Taiwan.

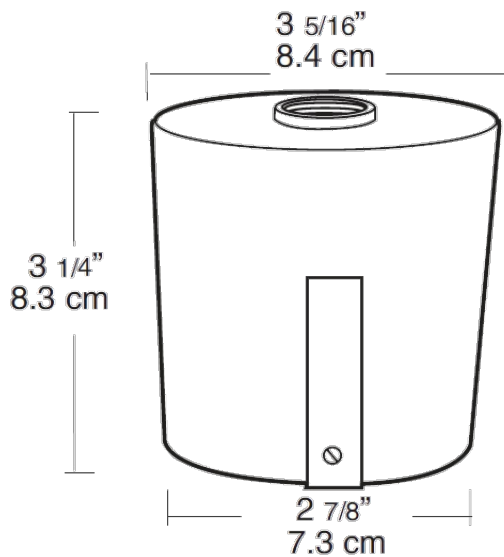
#### Trade Agreements Act Compliant:

This product is a product of Taiwan and a "designated country" end product that complies with the Trade Agreements Act.

#### GSA Schedule:

Suitable in accordance with FAR Subpart 25.4.

## Dimensions



## Features

Set screw locks cap to post

1/2" threaded hole fits standard floodlights & lawn lights

Internal seal provides weatherproof fit

Can be used with Post Adapter an option that lets you add outlets and sensors